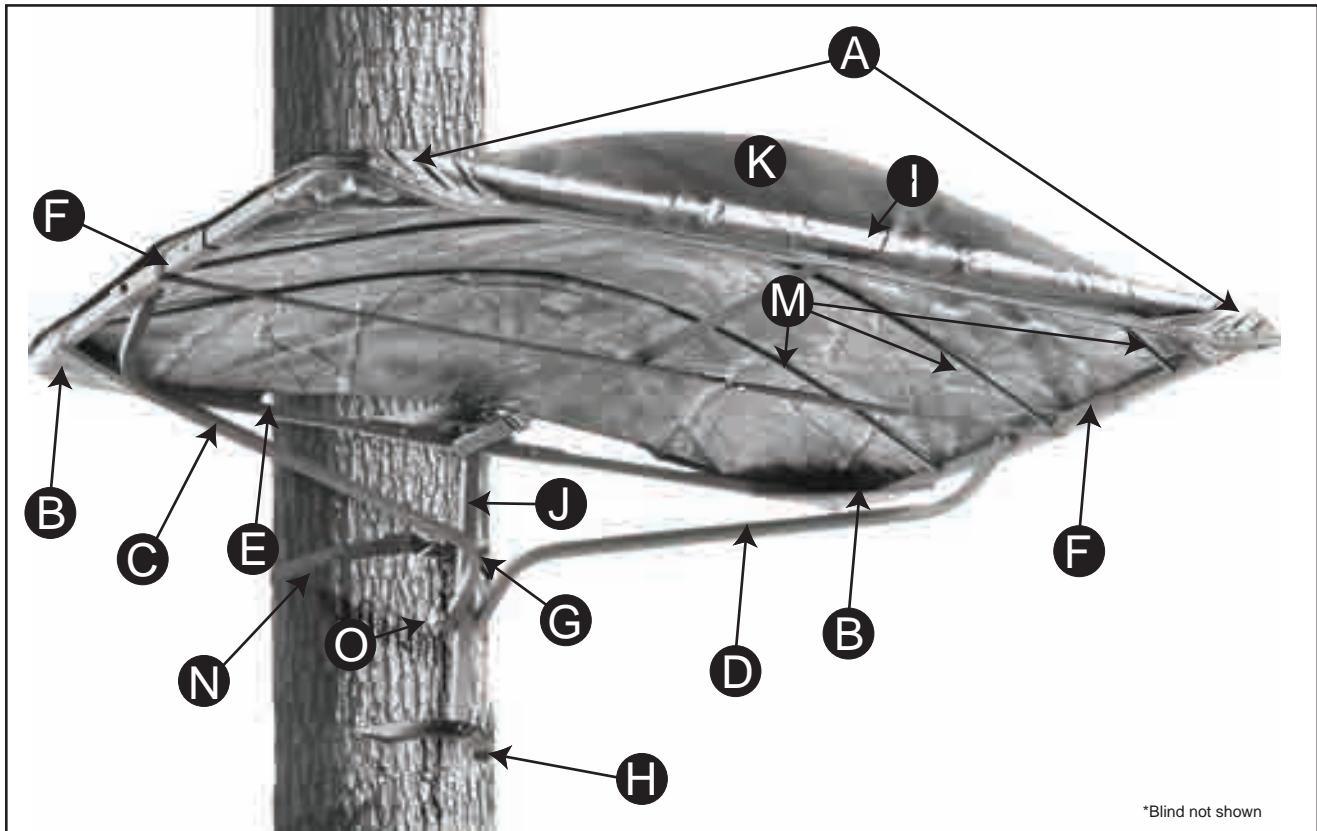


# MODEL: HEH00591

## OUTPOST ELITE KIT

- Tree Size: 9"-18" diameter
- NEVER Leave Roof Installed When Not In Use



## FIELD & STREAM™

1871

### ⚠ Warning

Every year serious injury and even death occurs from hunting related falls. To ensure your safety, please **COMPLETELY** read and follow this safety manual and **ALL** warning labels **BEFORE** assembling, installing or utilizing this product.

DO NOT USE THIS PRODUCT BEFORE FULLY UNDERSTANDING ALL SAFETY WARNINGS AND INSTRUCTIONS. IF YOU HAVE QUESTIONS, ARE UNSURE ABOUT ANY INFORMATION OR NEED ADDITIONAL INFORMATION CONCERNING YOUR PRODUCT, CONTACT OUR CUSTOMER SERVICE DEPARTMENT AT 1-866-972-6168 OR VISIT [WWW.PRIMALVANTAGE.COM](http://WWW.PRIMALVANTAGE.COM). KEEP AND MAINTAIN THIS SAFETY AND INSTRUCTION MANUAL IN A SAFE LOCATION FOR FUTURE REFERENCE.

The Field & Stream trademark is owned by American Sports Licensing Inc., and is not associated with Field & Stream Licenses Company, LLC or Field & Stream Magazine.



Distributed by Primal Vantage Company Inc. 685 Route 10 East, Randolph, NJ 07869

©2013 (rev. 02/13)

**SAFETY MUST BE YOUR FIRST PRIORITY WITH THIS PRODUCT**

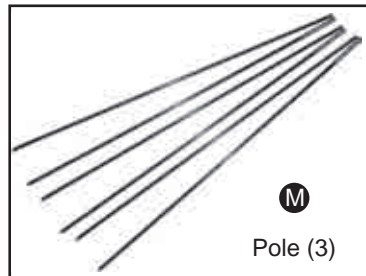
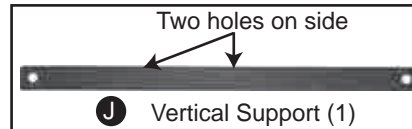
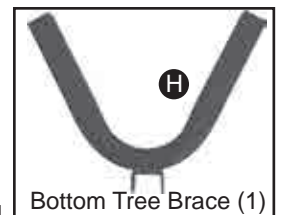
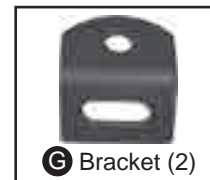
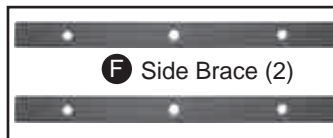
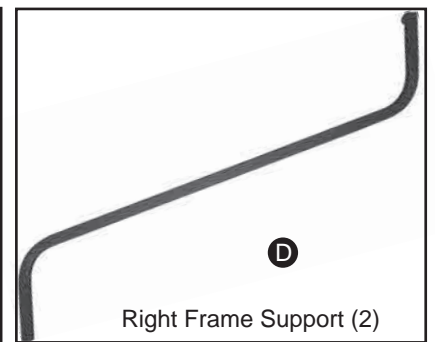
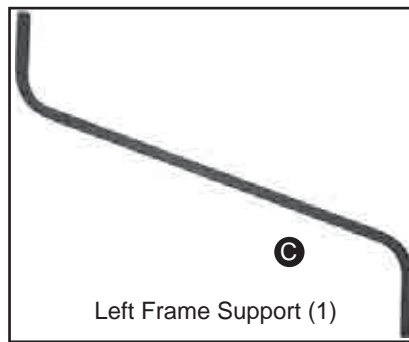
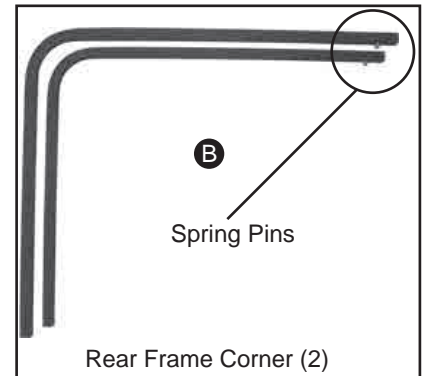
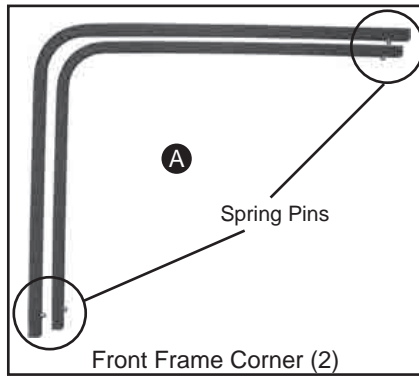
# MODEL: HEH00591

## OUTPOST ELITE KIT

- Tree Size: 9"-18" diameter
- NEVER Leave Roof Installed When Not In Use

### PARTS LIST

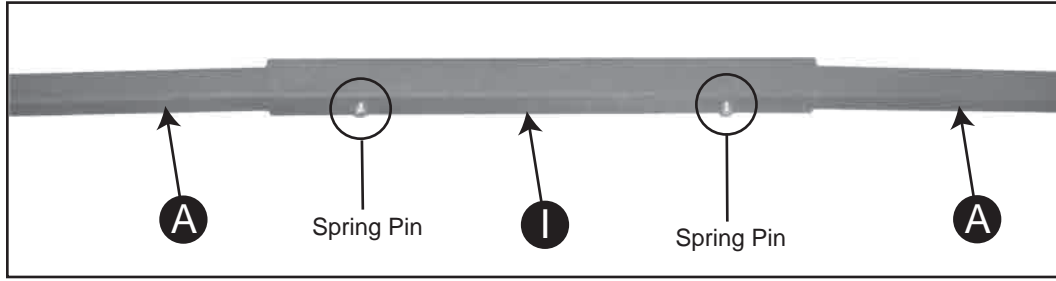
<b>A</b>	2	Front Frame Corner.....	Part # DFF-100
<b>B</b>	2	Rear Frame Corner.....	Part # DRF-100
<b>C</b>	1	Left Rail Support Brace.....	Part # RK-1015
<b>D</b>	1	Right Rail Support Brace.....	Part # RK-1020
<b>E</b>	1	TopTree Brace.....	Part # DTB-510
<b>F</b>	2	Side Brace.....	Part # RK-1010
<b>G</b>	2	Bracket.....	Part # WB-100
<b>H</b>	1	Bottom Tree Brace.....	Part # DTB-500
<b>I</b>	1	Front Brace.....	Part # RK-1025
<b>J</b>	1	Vertical Support.....	Part # DVS-591
<b>K</b>	1	Roof Cover.....	Part # DBC-583
<b>M</b>	3	Pole.....	Part # DTP-100
<b>N</b>	1	J-Hook Buckle Strap.....	Part # RK-9035
<b>O</b>	1	M10 Knob.....	Part # 1600
<b>P</b>	1	Skirt.....	Part # DST-583
<b>55</b>	2	M12x55mm Bolt.....	Part # 1255
<b>45</b>	1	M12x45mm Bolt.....	Part # 1245
<b>40</b>	2	M10x40mm Bolt.....	Part # 1040



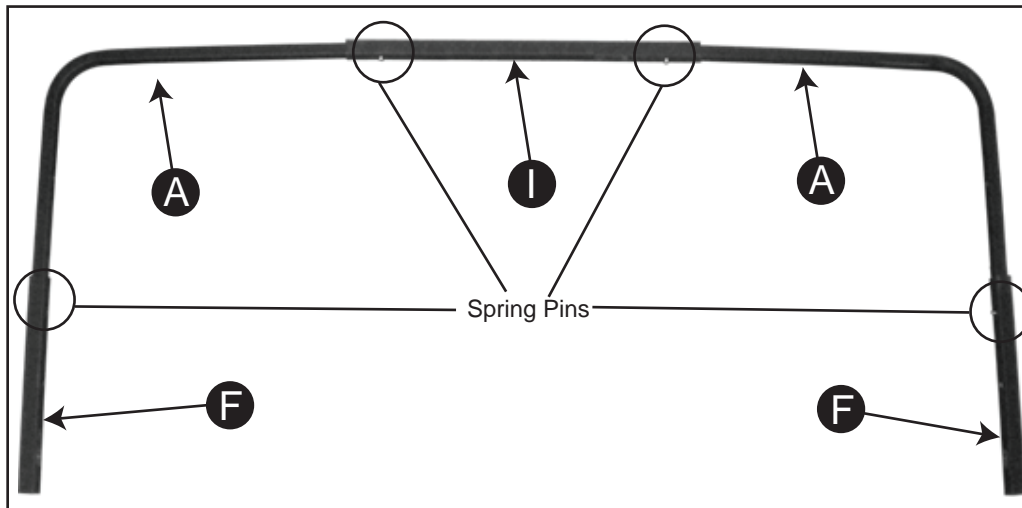
### ROOF KIT HARDWARE BLISTER PACK



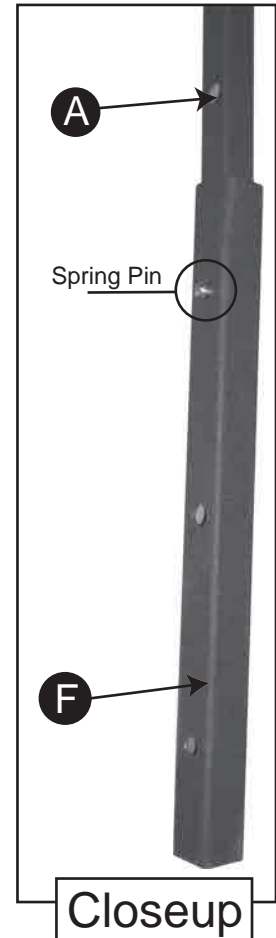
**FIELD & STREAM™**  
1871

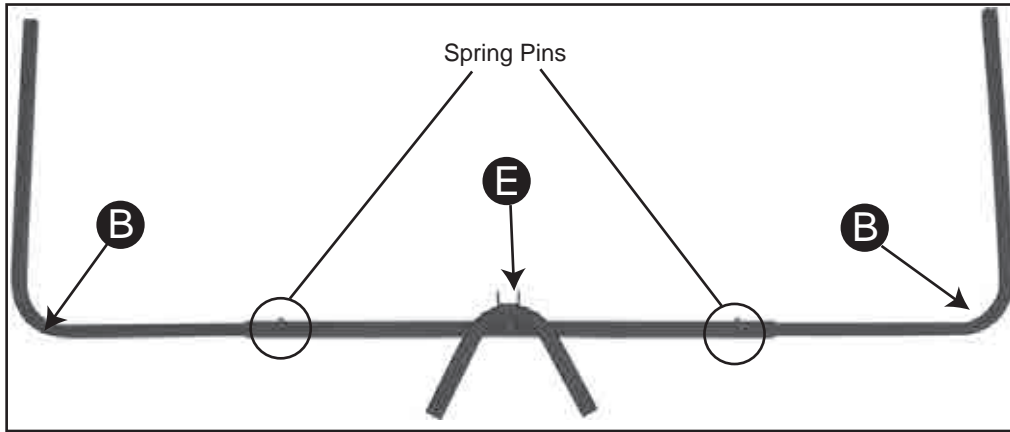


1. Slide Front Brace **I** onto Front Frame Corner **A**.

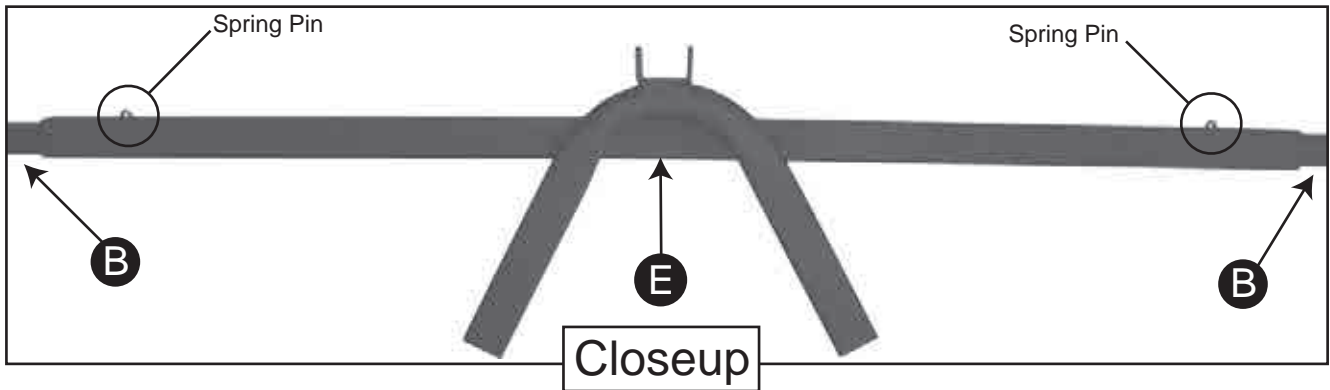


2. Slide each Side Brace **F** onto the other end of Front Frame Corner **A**. There are three holes on each side brace that **MUST** be facing the inside of the frame. **SEE CLOSEUP**

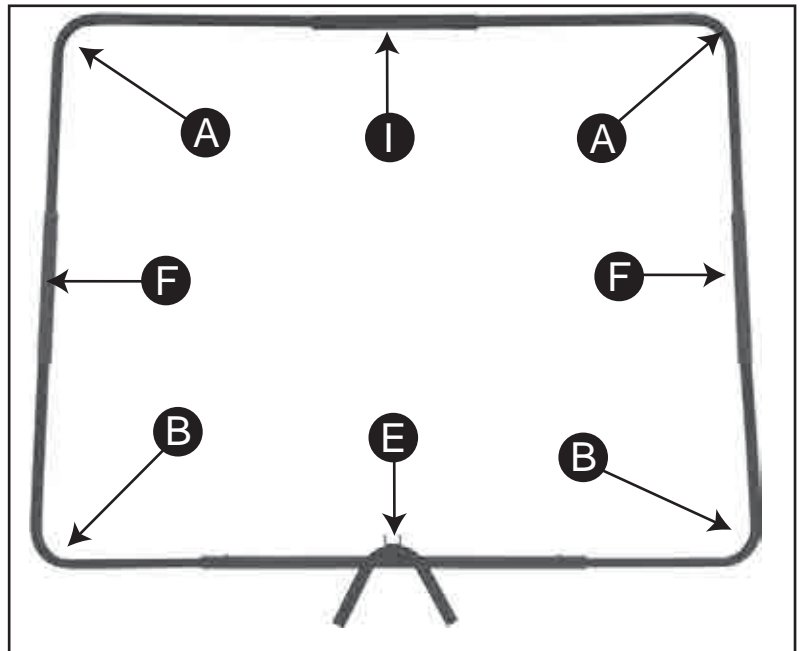


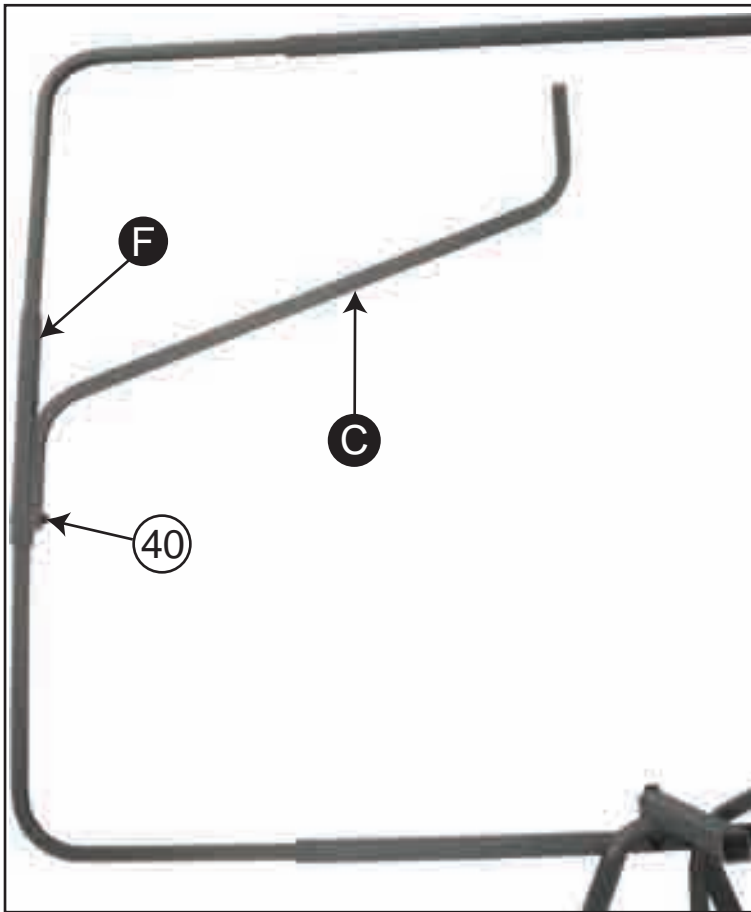


3. Slide each Rear Frame Corner **B** into Top Tree Brace **E**.  
The "U" part of the brace **MUST** be on top of the frame.  
**SEE CLOSEUP**



4. Slide each Rear Frame Corner **B** into Side Braces **F**.

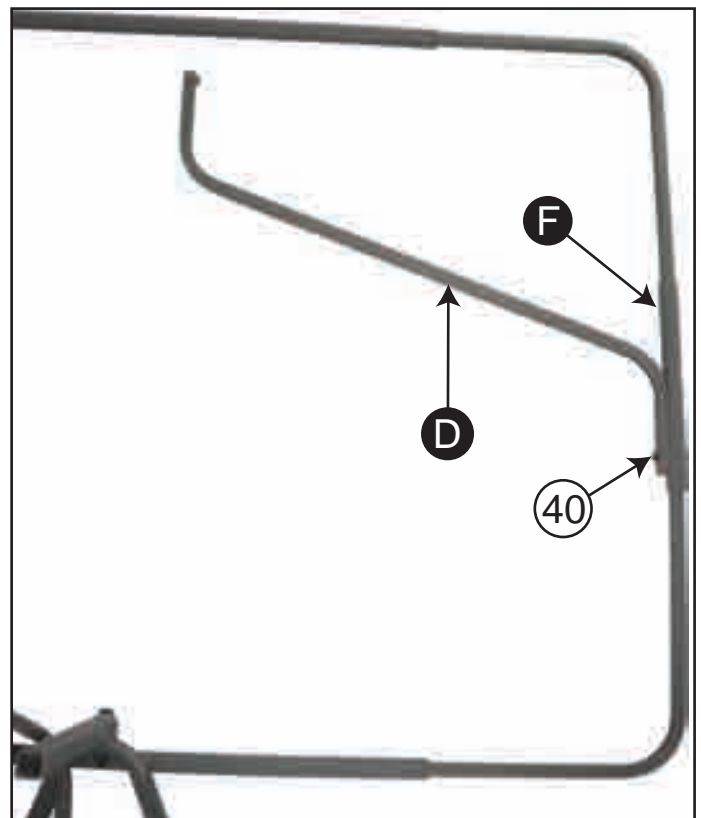




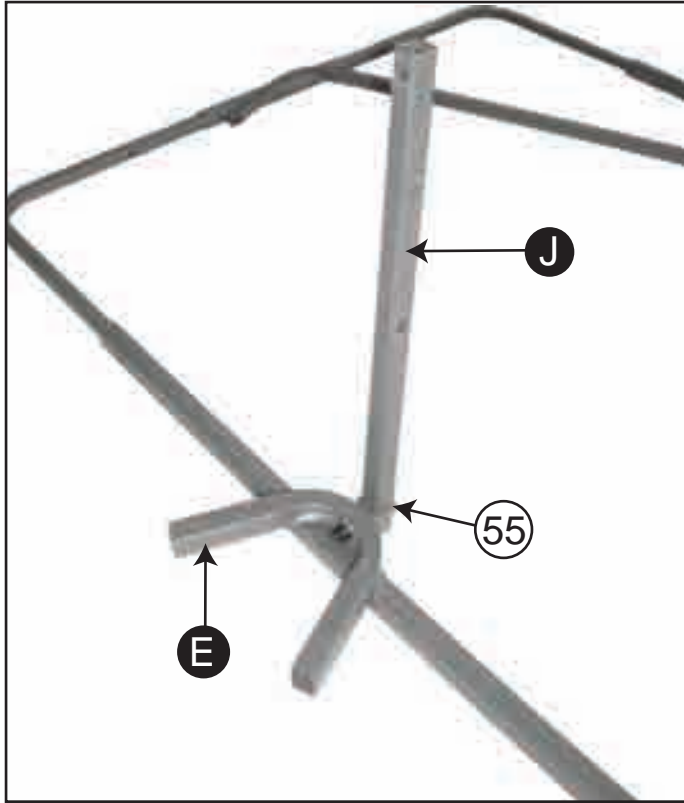
**NOTE:** ALL WASHERS ARE AGAINST THE BOLT HEAD AND THE NUT UNLESS STATED OTHERWISE

5. Attach Left Frame Support **C** to the left Side Brace **F** using **1-M10x40mm bolt**.

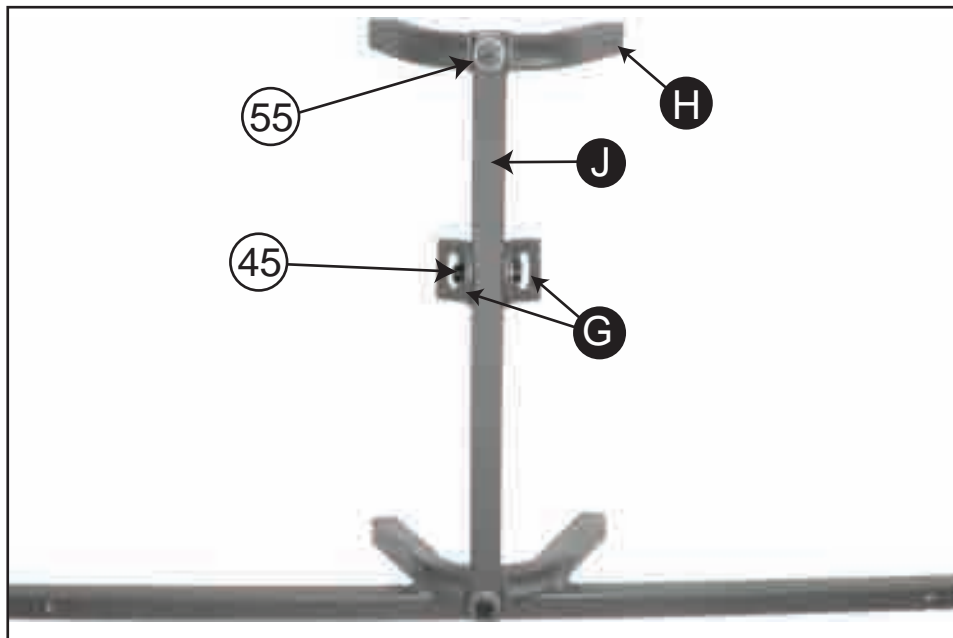
6. Attach Right Frame Support **D** (the one with the nut on it) on the Right Side Brace **F** using **1-M10x40mm bolt**.



**NOTE:** ALL WASHERS ARE AGAINST THE BOLT HEAD AND THE NUT UNLESS STATED OTHERWISE

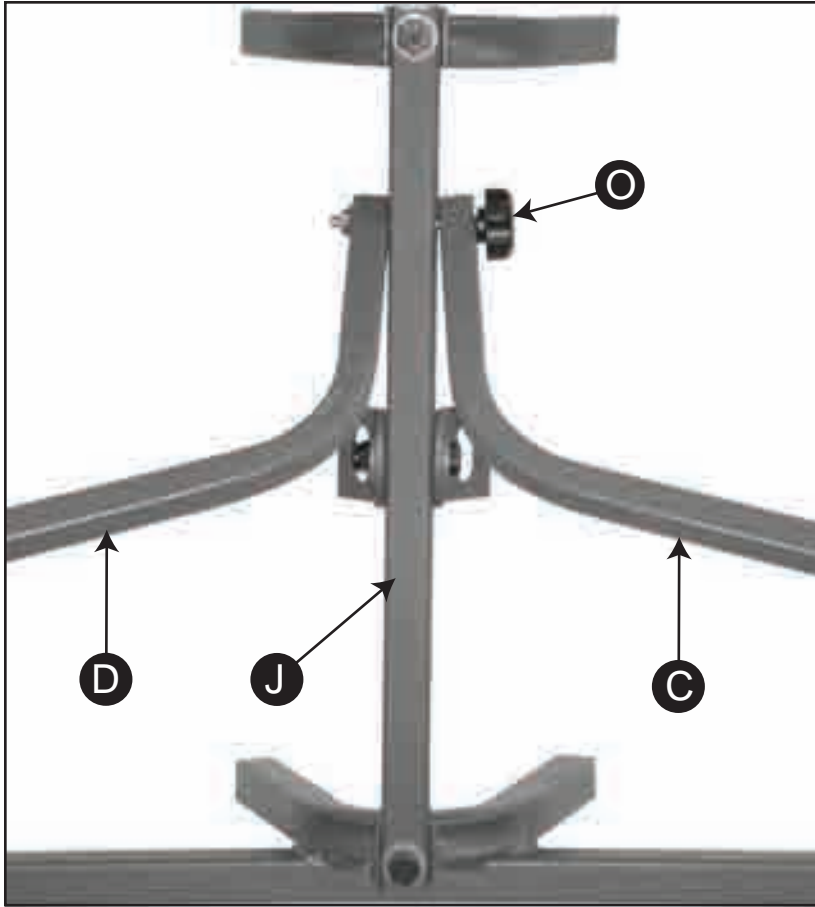


7. Attach Vertical Support **J** to Top Tree Brace **E** with **1-M12x55mm bolt**.



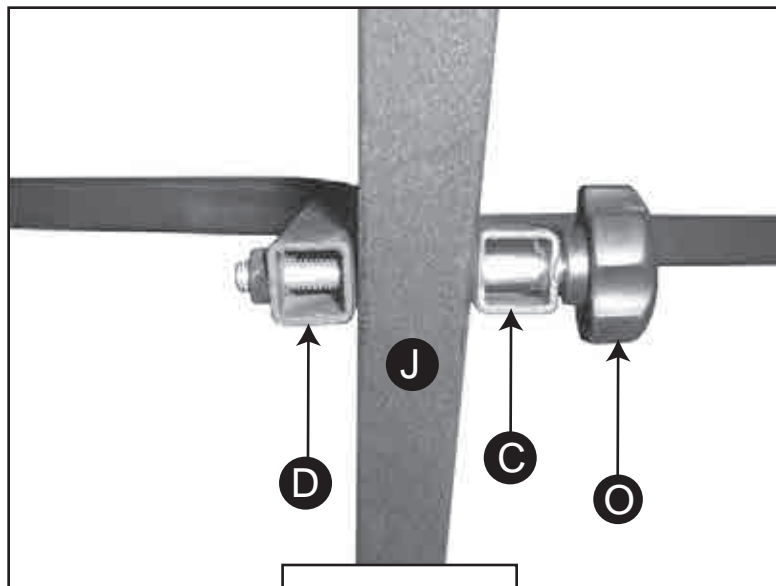
8. Attach both Brackets **G** to the center hole of Vertical Support **J** using **1-M12x45mm Bolt**.  
Attach Bottom Tree Brace **H** to Vertical Support **J** using **1-M12x55mm Bolt**.





**NOTE:** ALL WASHERS ARE AGAINST THE BOLT HEAD AND THE NUT UNLESS STATED OTHERWISE

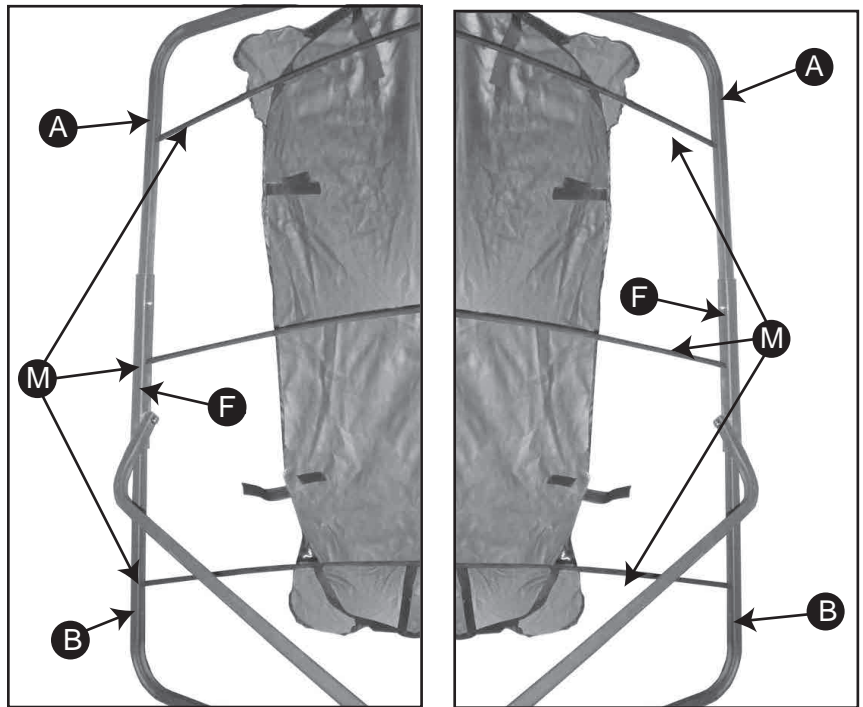
9. Attach Left and Right Frame Supports to Vertical Support **J** using M10 Knob **O**. The Knob will go through Left Frame Support **C** then through Vertical Post **J** then tightened through Right Frame Support **D**. **SEE CLOSEUP**



CLOSEUP



10. Insert top Pole **M** into Front Frame Support **A**.  
Insert middle Pole **M** into Side Brace **F**.  
Insert bottom Pole **M** into Rear Frame Support **B**.



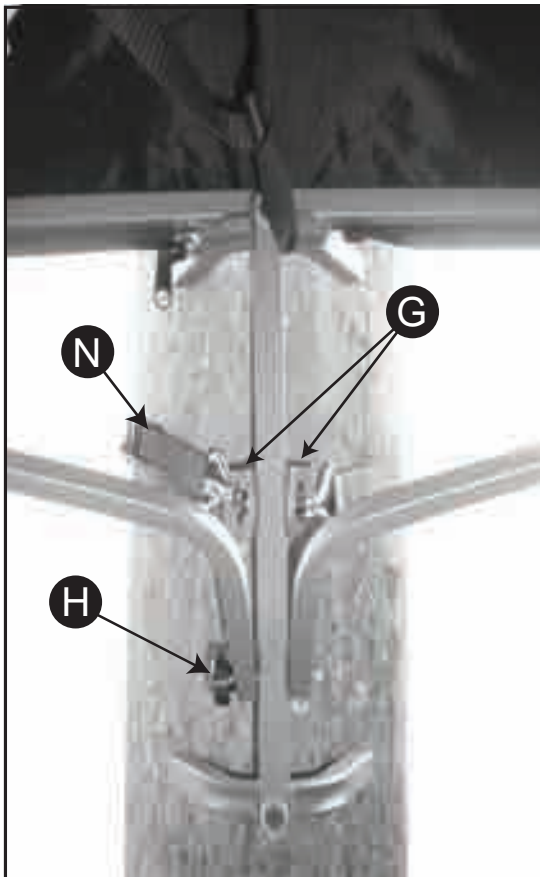
11. Attach Roof/Blind Cover **K** to the assembled roof frame by using the self sticking fabric strips on the front, rear and sides of the frame.

12. Turn the assembled Roof over so the frame is underneath. Pull the Blind Sides out so the camo is on the outside.

Roll up the Blind Sides and tie them to the attached ties on the Roof.







13. Raise the Roof Assembly to the tree using a safe hoist/lift system to 3 feet above the shooting rail of your treestand.

14. Attach the Vertical Support to the tree by using Buckle Strap **N**.

Hook Buckle Strap **N** to Bracket **G**. Wrap the strap around the tree once and attach the other end to the bracket. **(See Buckle Strap Instructions)**. Pull strap until it is tight against the tree.

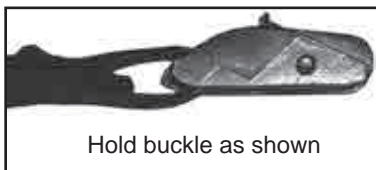
## ⚠ WARNING

You **MUST** use a Hoist system to lift the Roof to the Stand for installation  
DO NOT climb the Ladder with the Roof and Blind in Hand

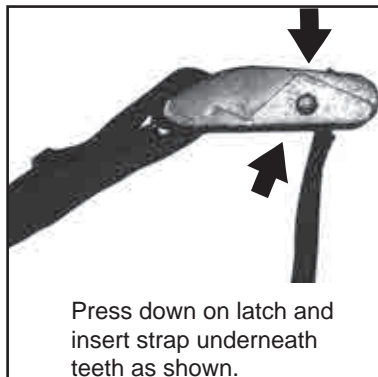
## ⚠ WARNING

**NEVER** stand on seat platform to attach roof.  
Raise flip-up seat platform to move closer to tree.

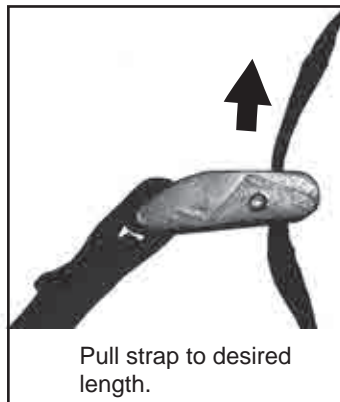
## BUCKLE STRAP INSTRUCTIONS



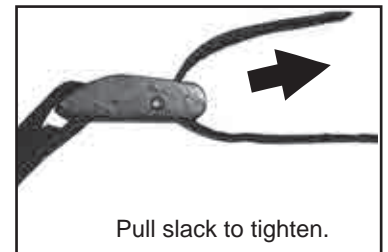
Hold buckle as shown



Press down on latch and insert strap underneath teeth as shown.



Pull strap to desired length.



Pull slack to tighten.

