

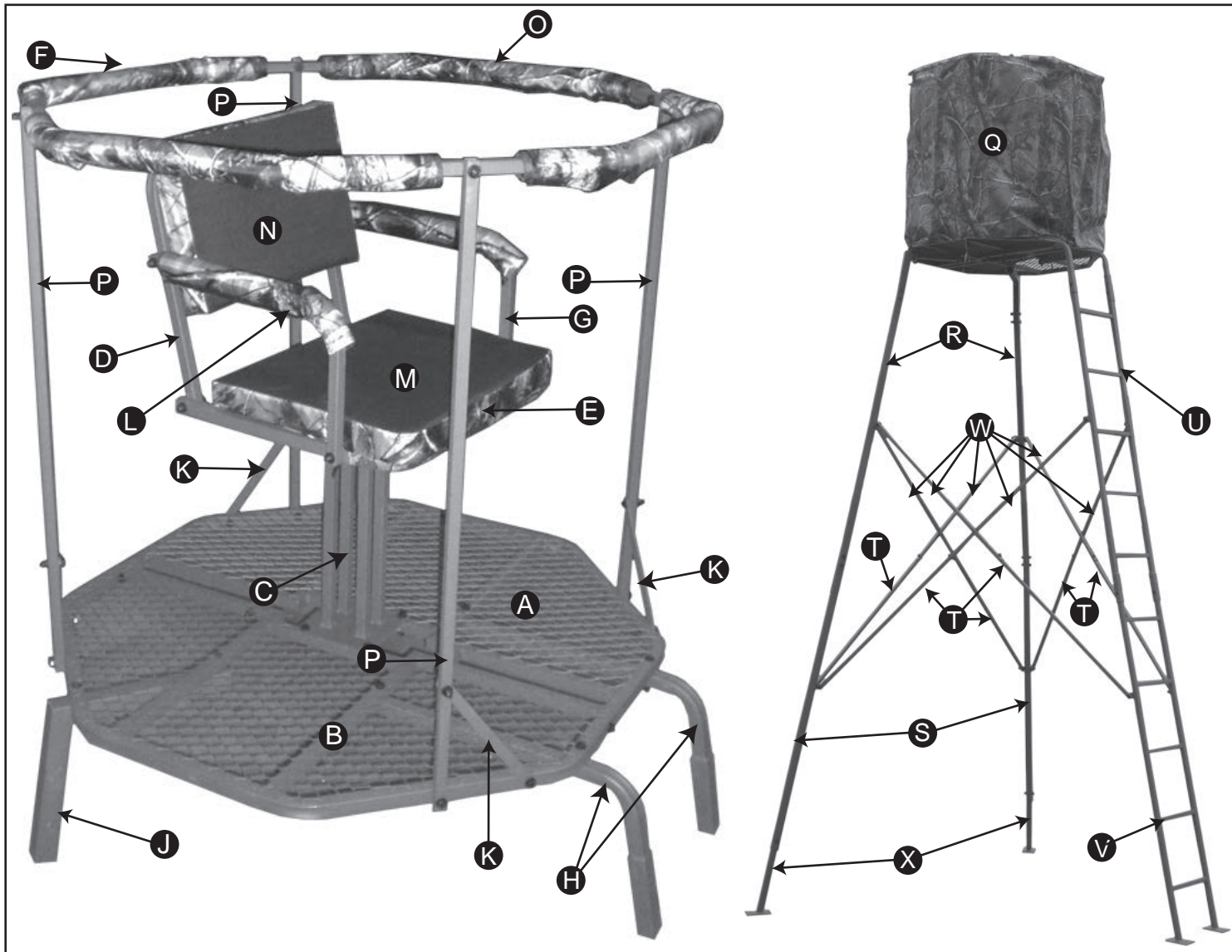
# 15 FT. TRIPOD

## MODEL: WMTS-15R

- Weight Limit 300 lbs.
- Do Not Over Tighten Fasteners

*Instruction and Safety Manual*

**Tools Required**  
Adjustable Wrench



### **⚠ Warning**

**Every year serious injury and even death occurs from hunting related falls.** To ensure your safety, please **COMPLETELY** read and follow this safety manual and **ALL** warning labels **BEFORE** assembling, installing or utilizing this product.

DO NOT USE THIS PRODUCT BEFORE FULLY UNDERSTANDING ALL SAFETY WARNINGS AND INSTRUCTIONS. IF YOU HAVE QUESTIONS, ARE UNSURE ABOUT ANY INFORMATION OR NEED ADDITIONAL INFORMATION CONCERNING YOUR PRODUCT, CONTACT OUR CUSTOMER SERVICE DEPARTMENT AT 1-866-972-6168 OR VISIT [WWW.TREESTANDCUSTOMERSERVICE.COM](http://WWW.TREESTANDCUSTOMERSERVICE.COM). KEEP AND MAINTAIN THIS SAFETY AND INSTRUCTION MANUAL IN A SAFE LOCATION FOR FUTURE REFERENCE.

## TREESTAND SAFETY WARNINGS

Please read the following instruction manual and warnings labels completely before utilizing this product. Failure to understand and execute the instructions and warnings may result in serious injury or death. In the event of an accident, have a plan for rescue, including the use of devices that may be easily reached while suspended.

**ALWAYS** read and understand all warnings and instructions and use all safety products provided before each use of this product. Failure to read and understand all warnings and instructions may result in serious injury or death. Contact a Customer Service Representative with any questions you may have.

**NEVER** exceed total weight limit of **300 lbs.** **DO NOT** use if your combined weight with all of your hunting gear and any accessories exceeds **300 lbs.** Use of tree stand over the weight limit may result in serious injury or death.

**DO NOT** use this tree stand while under the influence of alcohol, medication or any illegal substances. Use of tree stand while under the influence of any of these substances may result in serious injury or death.

**NEVER** use this treestand during inclement weather. **DO NOT** use tree stand during thunderstorms, snowstorms, hurricanes, tornadoes or any other weather conditions that include (but not limited to) lightning, icy conditions, or high winds that could create slippery or dangerous situations. End your hunt and return to the ground if inclement weather conditions arise.

**NEVER** use treestand if you are feeling ill, nauseous, dizzy or if you have a prior condition that could cause a problem. i.e., heart condition, joints that lock-up spinal fusions, etc., or if you are not well rested and alert. Physical ailments can reduce your ability to safely install, utilize, and remove your treestand. Please consult a physician prior to use.

**NEVER** use this tree stand if you have a history of health problems such as (but not limited to) heart problems, back problems, high blood pressure, impaired vision, equilibrium impairments, are afraid of heights, have been advised by a doctor or physician not to climb. If you are not physically fit, well rested, and alert, or if you have any other physical or mental condition that would impair your ability to properly use this treestand.

**NEVER** use this tree stand on a tree that is dead, leaning, diseased, loose barked or on a utility pole as the tree may fall, break, or uproot and may result in serious injury or death. **NEVER** rely on a branch for support.

**NEVER** jump or bounce on the treestand's platform or ladder sections to seat it to the tree. Instead, step firmly on the first rung of the bottom ladder section to set the ladder into the ground before proceeding to climb the ladder.

**NEVER** transport any of your equipment with yourself while ascending or descending the tree. You will need to have two hands free during ascending and descending for safety. Use a haul line to pull up your firearm (unloaded, chamber opened with safety lock engaged, barrel facing towards the ground), bows, arrows, knives or any other equipment to your tree stand once you have reached your desired hunting height. **ONLY** pull up hunting equipment after the tree stand has been secured to the tree and after you and your harness have been secured to the tree. Prior to descending, lower your equipment on the opposite side of the tree from which you are climbing. Make sure that the unloaded firearm's safety lock is engaged and the gun barrel is pointing towards the ground.

**ALWAYS** hunt with a plan and a buddy. Before you leave home, let others know your exact location, when you plan to return and who is with you.

**ALWAYS** carry emergency signal devices such as a cell phone, walkie-talkie, whistle, signal flare, PLD (personal location device) and flashlight with you at all times and within reach even while you are suspended in your harness. Watch for changing weather conditions. In the event of an accident, remain calm and seek help immediately.

**ALWAYS** inspect the tree stand and the **Fall Arrest System (FAS)** (Harness) for signs of wear or damage **BEFORE** each use. Also inspect to ensure that nuts and bolts are secure. Pay special attention to the harness and straps, guaranteeing that nothing has been frayed or severed. Destroy all products that cannot be repaired by the manufacturer. Contact a Customer Service Representative for replacement parts. The Fall Arrest System **MUST** be discarded and replaced after a fall has occurred.

### **DO NOT ATTACH YOUR FULL BODY HARNESS TO YOUR TREESTAND.**

**NEVER** modify your treestand in any way by making repairs, replacing parts, or altering adding or attaching anything to it except if explicitly authorized in writing by the manufacturer. Improper installation or adjustment may cause serious injury or death. Remove all contents from box. Inspect for any damaged or missing parts. If any parts are missing or damaged, you must only use certified replacement parts. Using any other replacement parts will void product warranty. **THERE ARE NO EXTRA PARTS.** All parts **MUST** be used to ensure the safety of you and your stand. If you think parts are missing or damaged, **STOP IMMEDIATELY** and contact our Customer Service Department. Using the tree stand with missing or damaged parts may result in serious injury or death. **DO NOT** return this product to the retailer. Contact a Customer Service Representative if you have any missing, damaged or extra parts.

**PRACTICE** installing, adjusting and using your treestand at ground level prior to using it at an elevated position.

**ALWAYS** keep instructions (written and video) in a safe place and review before each use. It is the responsibility of the treestand owner to furnish the complete instructions to anyone who borrows or purchases the treestand from you. A safe treestand hunting video has been included. Please view it in its entirety prior to using this product.

**NEVER** use this treestand for any use other than hunting. Our treestands are designed for hunter's to wear a Full Body Harness. If you are not completely comfortable and confident with your ability to safely install, ascend, hunt and descend using a Full Body Safety Harness and this treestand, **DO NOT PROCEED.**

**NEVER** use this treestand for trimming trees.

**NEVER** fall asleep in your stand as you may fall out resulting in serious injury or death.

**ALWAYS** be sure to retighten all bolts **BEFORE** each new use of treestand.

**ALWAYS** have a minimum of three people present when installing or removing this treestand.

## TREESTAND SAFETY WARNINGS

**NEVER** adjust your stand while in use. Practice the attachment of this treestand at ground level before using in a hunting environment. **ALWAYS** ensure that you and your treestand are safely secured to a healthy tree. Your tree stand **MUST** be attached tightly to the tree and secured in place. If the stand is not secure, it may shift while in use, resulting in serious injury or death.

The Installation Cross Straps and Stabilizer Bar(s) **MUST** be properly installed before each use of the treestand.

**ALWAYS** inspect every ladder section connection every time you use the stand before you leave the ground. If ladder sections are separating, with the help of at least two other people, lower the stand to the ground, make adjustments, and reinstall.

**ALWAYS** check the ground below the tree stand to make sure it is firm and level. Sloping ground or uneven terrain (one side of a rock or root) can cause your tree stand to tilt or shift.

**ALWAYS** maintain three points of contact when climbing the tree stand. (Two feet and one hand **or** one foot and two hands.)

**ALWAYS** lean forward as you climb and attach your harness to the tree before securing the platform to the tree and stepping onto the platform.

**DO NOT** leave your treestand outside since weather or animals may cause damage. Tree growth can also cause stress and damage straps and buckles. It must be stored inside when not in use.

**NEVER** wear jewelry or loose fitting clothing, which can cause hazardous conditions. Clothing may be caught in your equipment and cause you to fall. You must always wear non-slip or rubber boots. Shoelaces must be tucked into your boots. Rings and necklaces **MUST NOT** be worn.

**NEVER** use this treestand with a second person. The treestand is designed for use by **ONE** person.

**NEVER** let children play with or use this treestand without adult supervision. This treestand is not a toy. No one under the age of 18 should attempt to use this product without direct adult supervision.

**DO NOT** use tree stand if any nuts or bolts or parts are loose, bent, or crooked.

**ALWAYS** know your physical limitations. Don't take chances. If you start thinking about how high you are, don't go any higher. Instead, choose a minimum height that will allow for safe, effective and comfortable hunting.

**ALWAYS** lean **forward towards the tree** as you climb and attach your harness to the tree **BEFORE** securing the platform to the tree and stepping onto the platform. **NEVER** lean out from the treestand for any reason.

**ALWAYS** wear a Fall Arrest System (FAS) (Harness) consisting of a full body safety harness after leaving the ground. A TMA Certified Full Body Harness **MUST** always be connected to yourself and the tree during ascending, hunting and descending. Single safety belts and chest harnesses are no longer allowed and should **NEVER** be used. If you are not wearing a Full Body Harness properly attached to the tree, that is protecting you from a fall, **DO NOT leave the ground**. Failure to wear your Full Body Harness may result in serious injury or death.

Be aware that falls can occur at anytime after leaving the ground.

**ALWAYS** read and understand the manufacturer's Warnings, expiration date (if applicable) and instructions on how to use and how to properly adjust the harness. Practice the use of a full body safety harness at ground level in the presence of a responsible adult to experience the feeling of hanging suspended before using in a hunting environment. Failure to follow harness instructions may result in not being able to return to the stand and being suspended in a harness after a fall, or serious injury or possibly death. If the hunting location is unknown by anyone and communication efforts are unsuccessful, you **MUST** have a personal plan for rescue/escape because prolonged suspension in a harness may be fatal. It is important to exercise the legs by pushing against the tree or doing other forms of continuous leg exercises to avoid blood pooling while being suspended. Hunters with varying degrees of physical fitness may require different plans to recover/escape the effects of prolonged suspension. Have a personal plan and practice it in the presence of a responsible adult before leaving the ground. No one escape/rescue plan will work for every hunter on every tree in every circumstance. Only you can determine the best recovery/escape plan for your situation before leaving the ground.

**ALWAYS** have a suspension relief device on your person and readily accessible while using a harness. These devices allow the user to relieve the load on the lower extremities if suspended in a harness and help maintain circulation in the legs, mitigate suspension trauma (blood pooling) or allow descent to the ground. Several optional products/systems are available that offer self-recovery or self-extraction from a fall when suspended in a harness. Some systems automatically descend the user while others allow user control. One of these products/systems can be considered for use as an additional safety precaution against prolonged suspension and suspension trauma, Be sure to follow the manufacturers' instructions on the safe use of these products/systems.

Hunt from the ground when self-recovery escape is absent. There is time to make a correct decision on what action to take if a fall occurs while wearing a full body harness. It is important to remember **"DO NOT PANIC."** Remain calm and implement your practiced rescue, relief and recovery plan.

**NEVER** allow the tether strap to get under your chin or around our neck. The length of the harness tether **MUST** be minimized at all times. It should be adjusted so that it is above the head with no slack (snug) in the sitting position and you should have the minimum amount of slack possible when climbing.

# WARNING

**DO NOT** use this ladderstand without reading and following all warnings and instructions before each use. Failure to do so may result in serious injury or death.

**ALWAYS** inspect your ladderstand before each use. **DO NOT** use if parts are missing, worn, or damaged.

**ALWAYS** wear a Full Body Harness while using this stand. Failure to wear a full body harness while using this ladderstand may result in serious injury or death.

**DO NOT** exceed the ladderstand's 300 lbs. weight which includes your body weight as well as the weight of clothes and gear. Exceeding the ladderstand's weight limit may cause the treestand to break or fail resulting in serious injury or death.

# SAMPLE

**NEVER** stand on treestand seat or any other part of these parts may cause the treestand to break or fail resulting in serious injury or death.

**NEVER** alter, modify, or remove any part of the ladderstand. This may result in serious injury or death and will void all warranties.

**NEVER** use the treestand on a tree that is diseased, leaning, or on wet, uneven ground. The tree may fall, break, or root anchor may result in serious injury or death.

**NEVER** use ladderstand during inclement weather. **DO NOT** use treestand during thunderstorms or any other weather conditions including (but not limited to) lightning, freezing rain, high wind that could create slippery or dangerous conditions.

**DO NOT** use ladderstand under the influence of alcohol, drugs, or medication. Using ladderstand under the influence of alcohol, drugs, or medication may result in serious injury or death.

**DO NOT** use ladderstand if you have dizzy spells, a heart problem, are afraid of heights, have been advised by a doctor or other health care provider not to climb, or have any condition that would impair your ability to climb up or down or use treestand as it could result in serious injury or death.

**NEVER** remove or deface ladderstand warning labels. Replacement labels can be obtained from the address below.

**NEVER** remove any safety warning stickers from this product.

**Safety must be your first priority during the use of this product.**

©2012 (rev. 12/11)

## CHOOSING A SAFE TREE

- **ALWAYS** thoroughly inspect the tree before installing your product. **DO NOT** install your **TREE/LADDER STAND** onto any dead or unsafe tree, telephone or utility pole, structural column, or man-made structure. Doing so may result in serious injury or death.
- **ALWAYS** select the proper tree for use with your **TREE/LADDER STAND**. Select a live straight tree that fits within size limits recommended (minimum tree diameter must be no less than 9 inches and maximum of 18 inches.). **DO NOT** rely on a branch for support.
- **DO NOT** select a tree in the dark or choose a tree in close proximity to a fence. You must not have any stumps or rocks beneath your tree.
- **NEVER** use **TREE/LADDER STAND** on a tree that is dead, diseased, leaning or on wet and uneven ground as the tree may fall, break or uproot.
- Your tree must not be wet, icy or slippery or on wet, swampy, or loose ground that allows the tree to be unstable. Check the ground under **TREE/LADDER STAND** to ensure it is firm and level.
- Be sure you have a level stand platform. Your tree must not lean or have any irregular shape.
- Tree must not have any loose or scaly bark or excessive vines, nails, screws, or any other sharp objects protruding that may sever webbing on product. Any surrounding trees must not lean or have dead limbs that may fall onto you or your product.
- **NEVER HURRY!! HURRYING CAUSES ACCIDENTS!!** While climbing a **TREE/LADDER STAND**, make slow, even movements no more than ten to twelve inches at a time. Make sure you have proper contact with tree and/or **TREE/LADDER STAND** every time you move. On ladder tree stand, **ALWAYS** maintain three points of contact with each step and **ALWAYS** lean forward as you climb.

Several treestands are equipped with a footrest, armrests and/or shooting rail. Neither the footrest, armrests nor the shooting rail have been designed to support a user's weight. Under **NO** circumstances should you place more than fifteen (15) pounds of weight on these structures. Doing so will put the user in serious risk of injury or death.

## PROPER CARE AND MAINTENANCE:

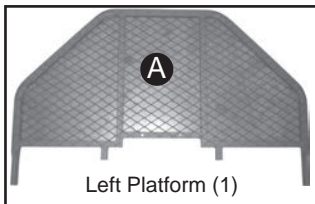
- Inspect for defects (damage, rot, corrosion, cracks, freezing, excessive heat, etc.) before every use is required. Do not use if damage is detected or suspected.
- We recommend replacing all hardware/cables/nuts/bolts/clips on your tree stand every two (2) years or sooner if inspection finds it necessary. Use only Primal Vantage approved replacement straps and parts. Use of any other straps or parts, will be viewed as a modification to the product. Any modification will void the warranties and relieve Primal Vantage from all liabilities. Failure to follow these instructions may result in serious injury or death.
- By registering your product, you may be enrolled in our discount program. You may receive a 20% off coupon for our website store, [www.primal-store.com](http://www.primal-store.com) to purchase replacement parts in the future.
- **DO NOT** overtighten the hardware. **DO NOT** use a socket wrench. This can lead to structural damage and may negatively affect the performance of your stand. Failure to follow these instructions may result in serious injury or death.



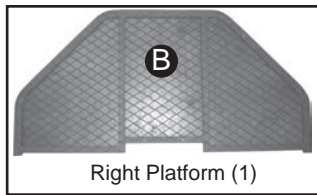
# 15 FT. TRIPOD

## MODEL: WMTS-15R

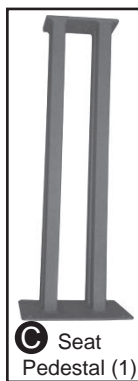
- Weight Limit 300 lbs.
- Do Not Over Tighten Fasteners



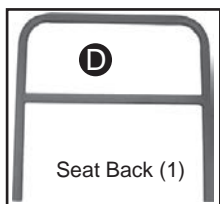
Left Platform (1)



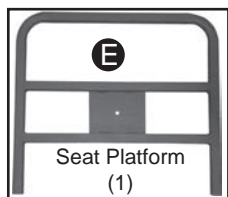
Right Platform (1)



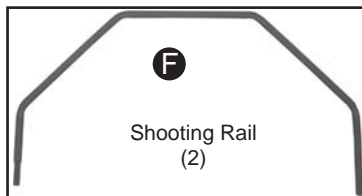
Seat Pedestal (1)



Seat Back (1)



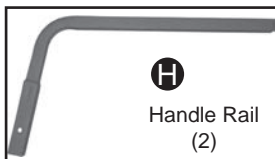
Seat Platform (1)



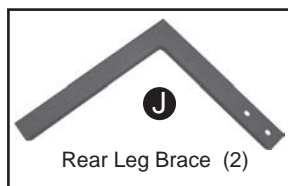
Shooting Rail (2)



Armrest (2)



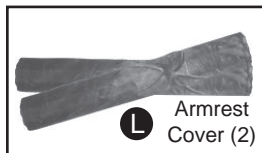
Handle Rail (2)



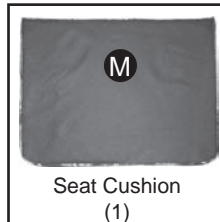
Rear Leg Brace (2)



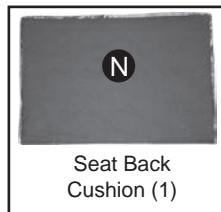
Support Brace (4)



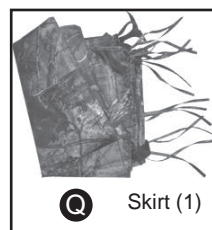
Armrest Cover (2)



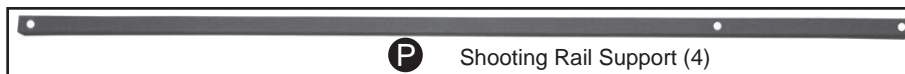
Seat Cushion (1)



Seat Back Cushion (1)



Skirt (1)



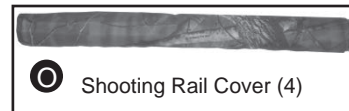
Shooting Rail Support (4)

## Platform Parts List

<b>A</b>	1 Left Platform	Part # WLP-600
<b>B</b>	1 Right Platform	Part # WRP-600
<b>C</b>	1 Seat Pedestal	Part # WSP-600
<b>D</b>	1 Seat Back	Part # WSB-600
<b>E</b>	1 Seat Platform	Part # WSP-610
<b>F</b>	2 Shooting Rail	Part # WSR-600
<b>G</b>	2 Armrest	Part # WAR-600
<b>H</b>	2 Handle Rail	Part # WHR-600
<b>J</b>	2 Rear Leg Brace	Part # WRLB-600
<b>K</b>	4 Support Brace	Part # WSRB-600
<b>L</b>	2 Armrest Cover	Part # WARC-600
<b>M</b>	1 Seat Cushion	Part # WSC-610
<b>N</b>	1 Seat Back Cushion	Part # WSC-611
<b>O</b>	4 Shooting Rail Cover	Part # WSRC-600
<b>P</b>	4 Shooting Rail Support	Part # WSRS-600
<b>Q</b>	1 Skirt	Part # WS-650

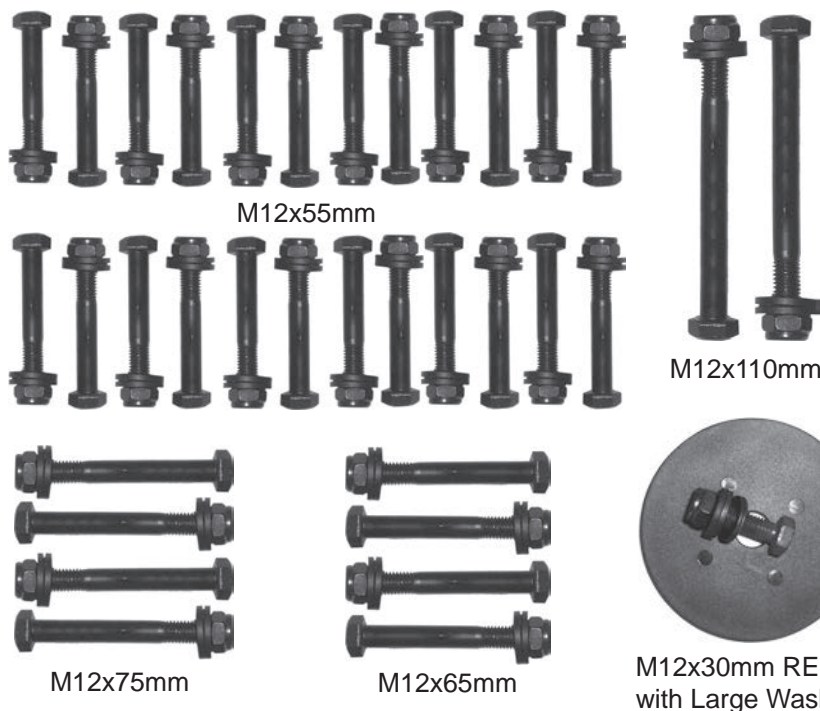
## Platform Hardware

(110)	2	M12x110mm Bolt	Part # 12110
(75)	4	M12x75mm Bolt	Part # 1275
(65)	4	M12x65mm Bolt	Part # 1265
(55)	24	M12x55mm Bolt	Part # 1255



Shooting Rail Cover (4)

## Platform Hardware Blister Pack



### Tools Required

Adjustable Wrench



# 15 FT. TRIPOD

## MODEL: WMTS-15R

- Weight Limit 300 lbs.
- Do Not Over Tighten Fasteners

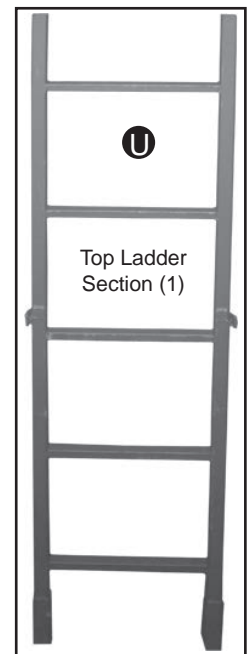
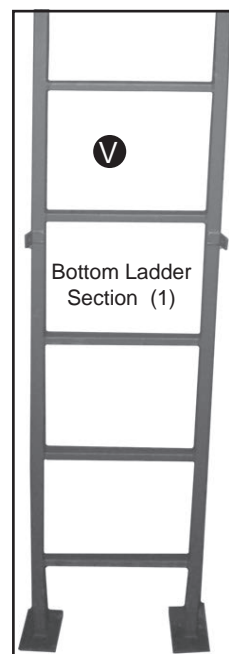
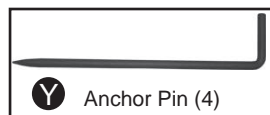
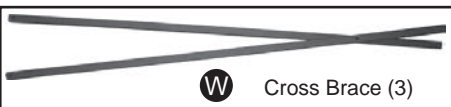
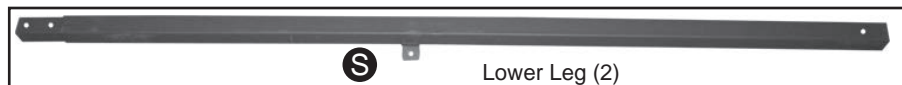
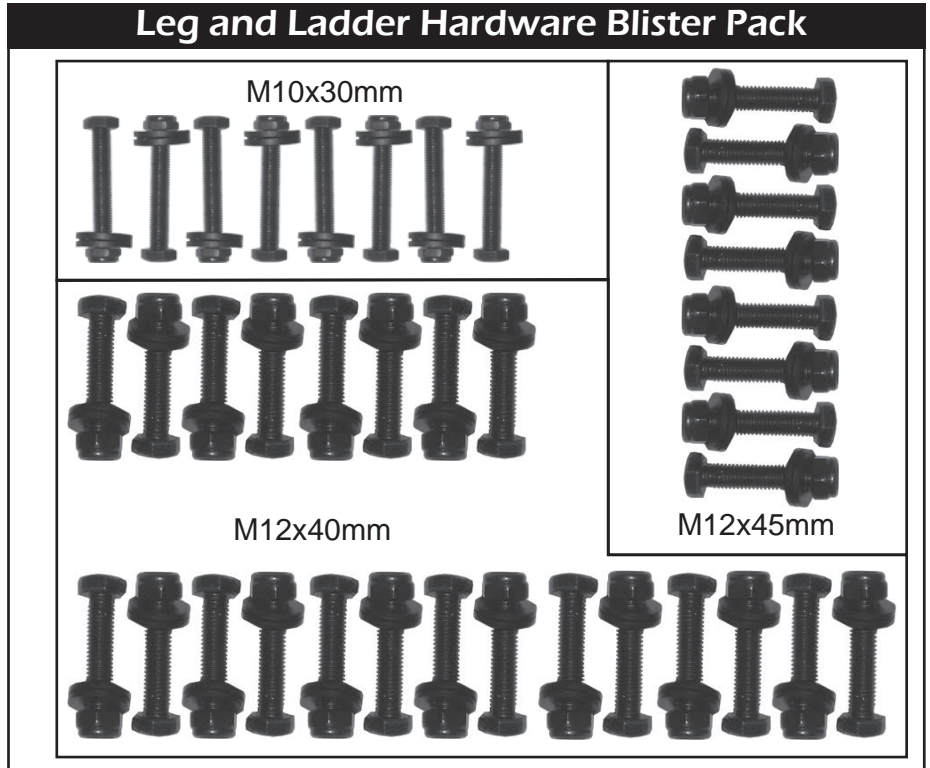
### Leg and Ladder Parts List

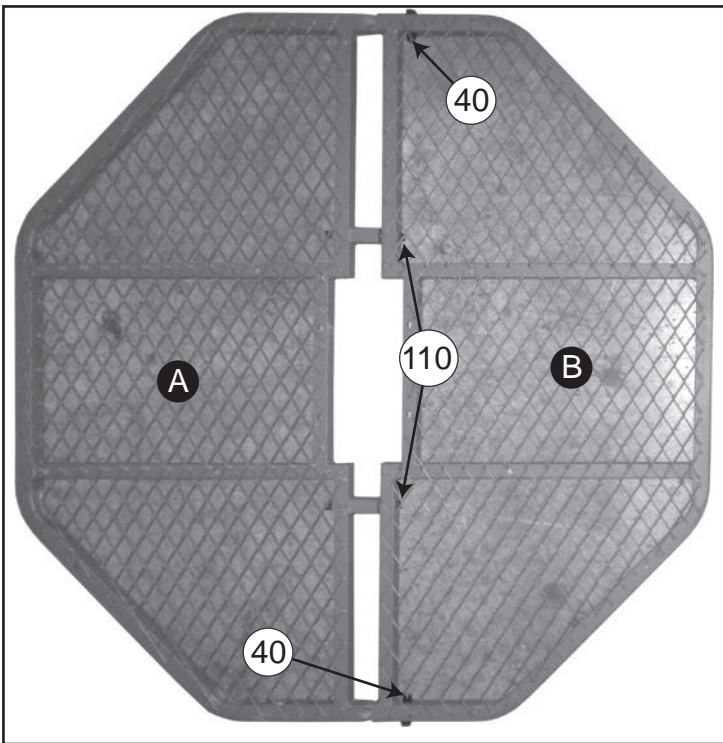
<b>R</b>	2 Upper Leg	Part # WL-600
<b>S</b>	2 Lower Leg	Part # WL-610
<b>T</b>	6 Male Brace	Part # WB-600
<b>U</b>	1 Top Ladder	Part # WTL-600
<b>V</b>	1 Bottom Ladder	Part # WBL-600
<b>W</b>	3 Cross Brace	Part # WCB-600
<b>X</b>	2 Leg Foot	Part # WLF-650
<b>Y</b>	4 Anchor Pin	Part # WAP-600

### Leg and Ladder Hardware

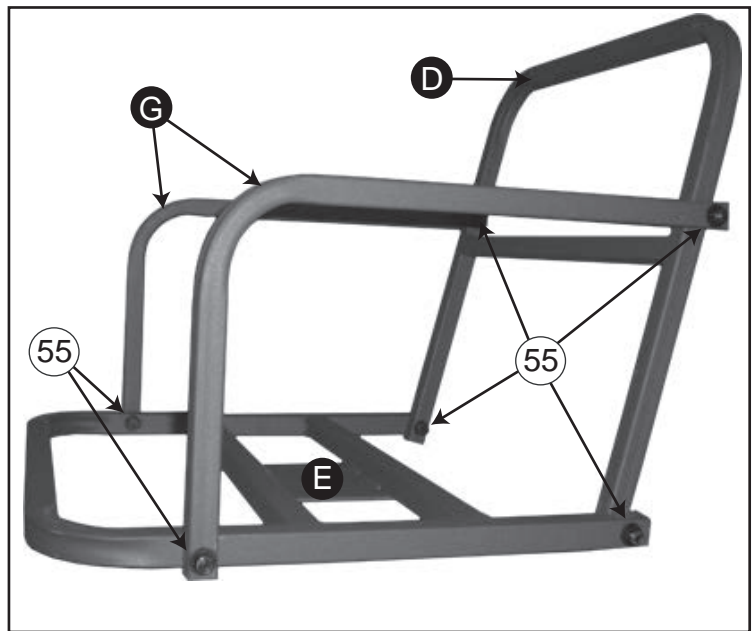
<b>45</b>	8 M12x45mm Bolt	Part # 1245
<b>40</b>	22 M12x40mm Bolt	Part # 1240
<b>30</b>	8 M10x30mm Bolt	Part # 1030

### Leg and Ladder Hardware Blister Pack



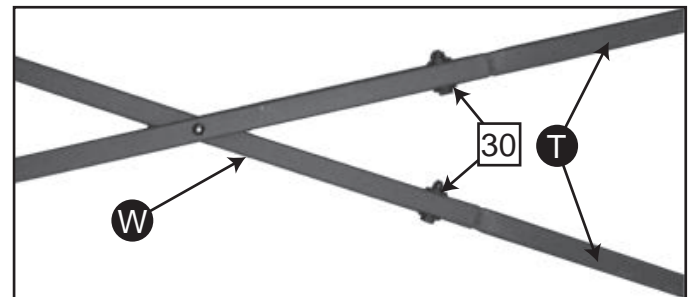
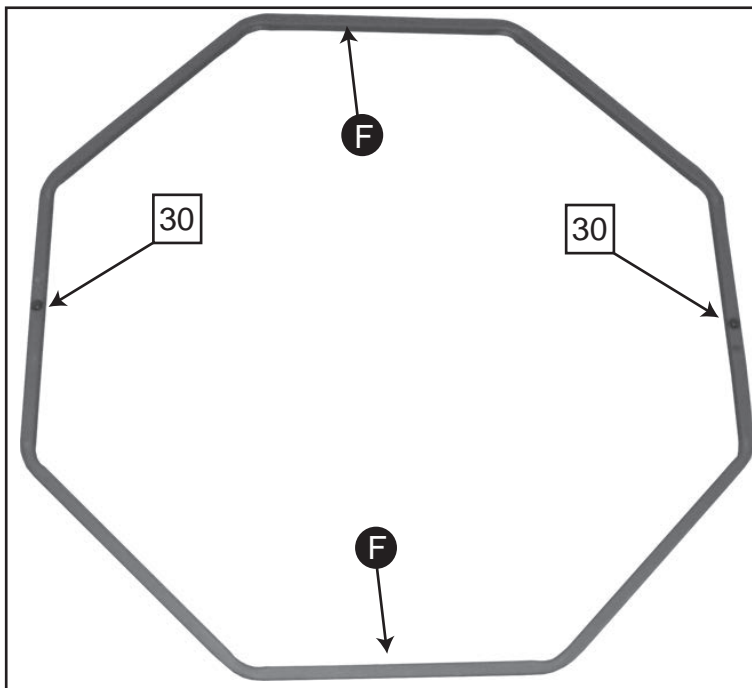


1. Slide Left Platform **A** into Right Platform **B**. Use **1-M12x40mm bolt** on each side of platform. Use **2-M12x110mm bolt** in the middle of the platform. Set aside for future use.



2. Attach Seat Back **D** to Seat Platform **E** using **1-M12x55mm Bolt** on each side.

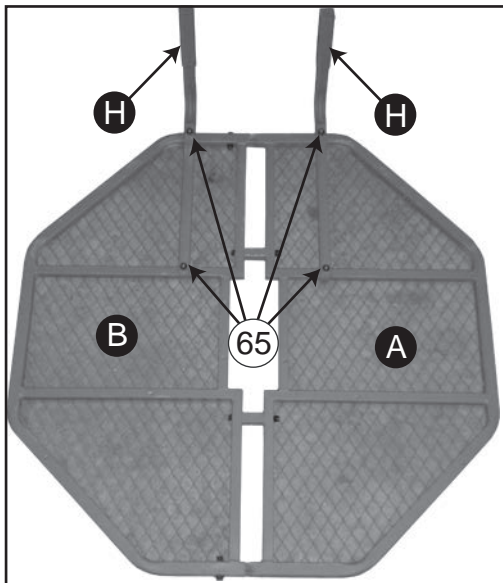
Attach Armrest **G** to Seat Back **D** and Seat Platform **E** using **2-M12x55mm Bolt** at each connection point. Set aside for future use.



4. Insert the crimped end of Male Brace **T** into the end of Cross Brace **W** near the pivot point. Insert **1-M10x30mm Bolt** at each point. Do this for **ALL** remaining Cross Braces. Set aside for future use.

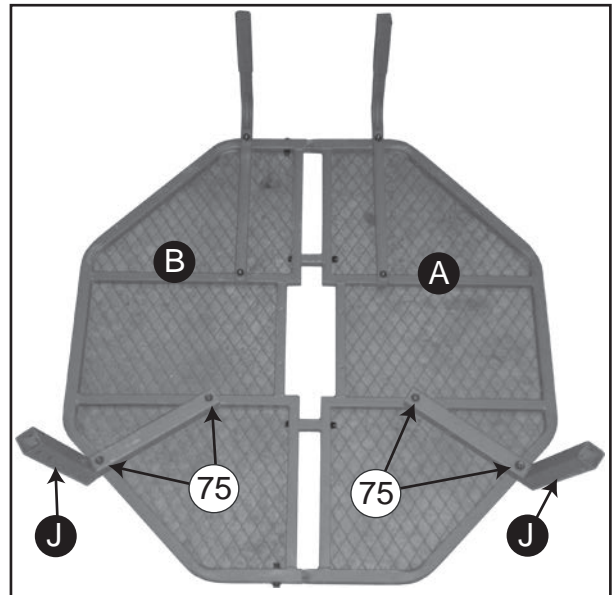
3. Slide both halves of Shooting Rail **F** together and secure with **1-M10x30mm bolt** on each side. Set aside for future use.



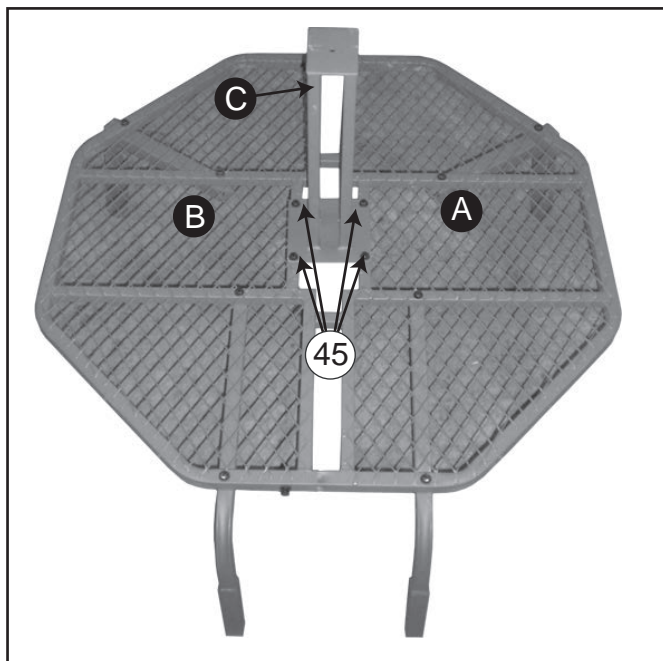


5. Turn the assembled platform over so that the top of the platform is on the ground.

Attach Handle Rail **H** to the bottom of the assembled platform using **2-M12x65mm Bolts** for each Handle Rail.

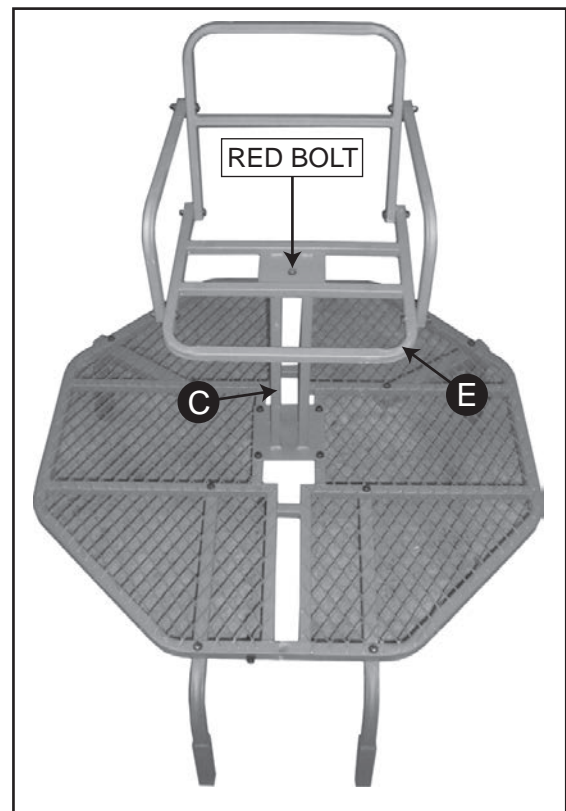


6. With the platform still upside down, Attach Rear Leg Brace **J** to the rear of the platform using **2-M12x75mm Bolts** for each Rear Leg Brace.



7. Turn the platform upright.

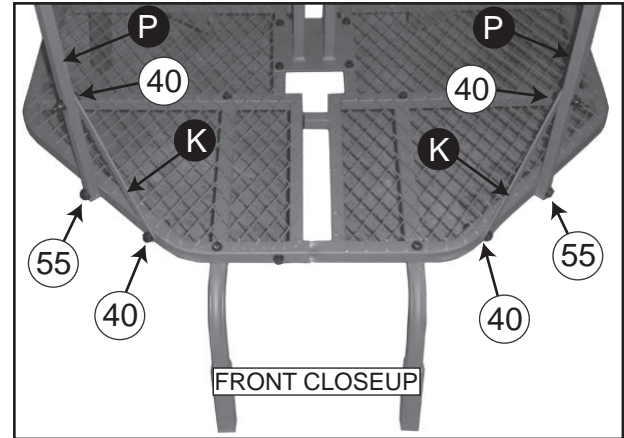
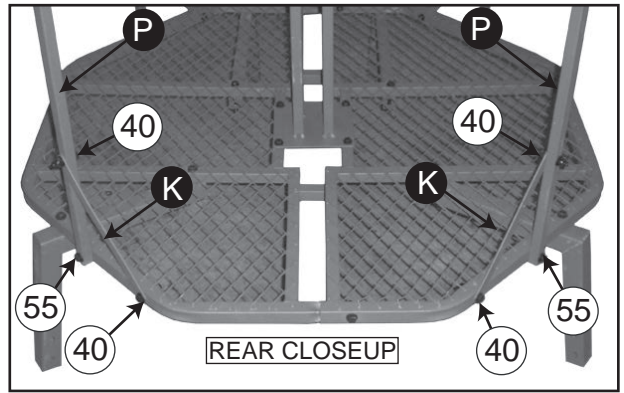
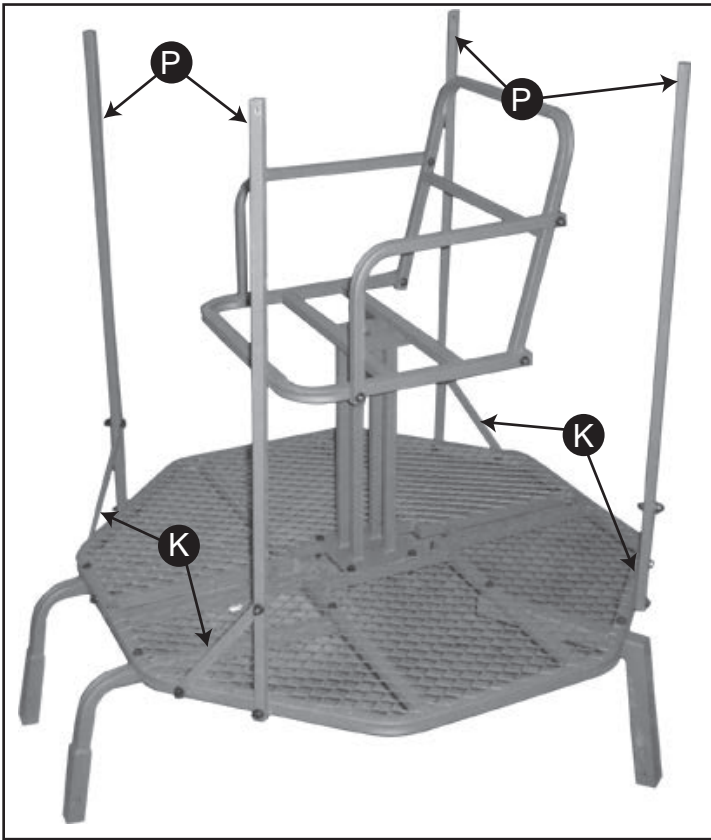
Attach Seat Pedestal **C** to the center of the platform using **4-M12x45mm Bolts**.



8. Disassemble the **RED Bolt with Large Washer**.

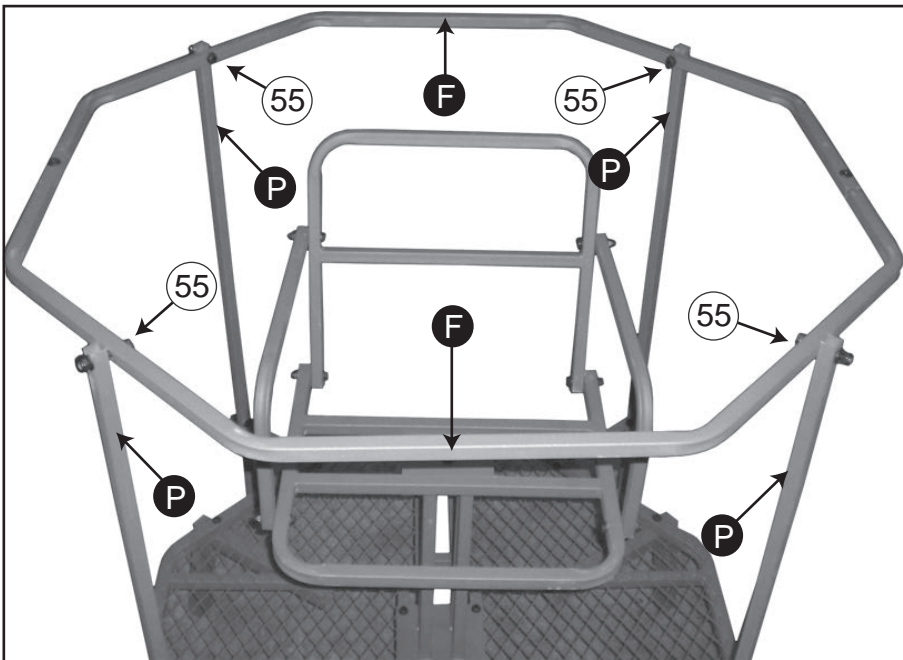
Place the Large Washer on top of the Seat Pedestal **C**. Hold the assembled Seat on the Seat Pedestal. Place a metal washer onto the **RED** bolt, then insert a nylon washer on the bolt. Insert the bolt through the Seat Platform, Large Washer, and the seat Pedestal. Place another nylon washer onto the bolt, then the last metal washer and tighten with the nut.



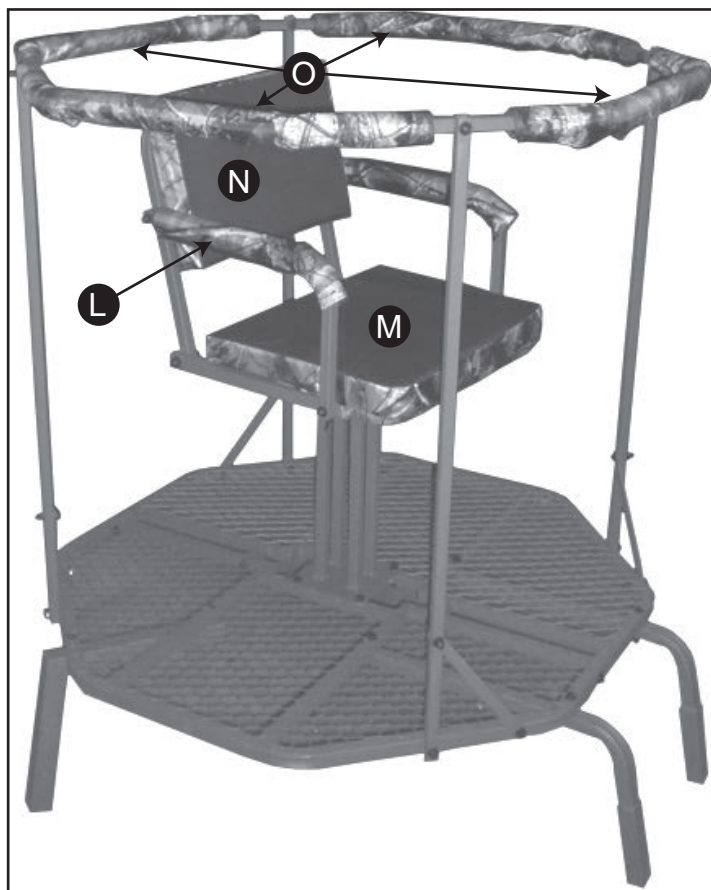


9. Attach Shooting Rail Support **P** to the assembled platform using **1-M12x55mm Bolt** for each piece.  
(See **Close-up** for correct placement).

Attach Support Brace **K** to the assembled platform and to the **INSIDE** of the Shooting Rail Supports using **1-M12x40mm Bolt** for each connection point. (See **Close-Up** for correct placement).

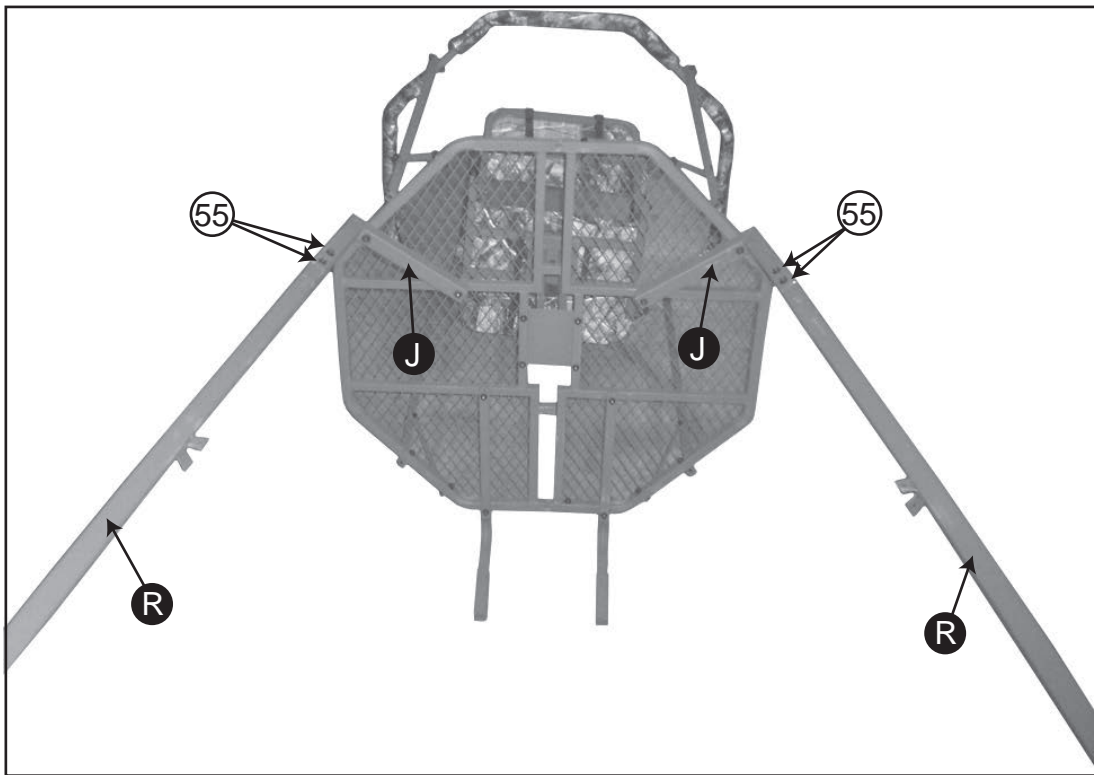


10. Attach assembled Shooting Rail **F** to each Shooting Rail Support **P** using **1-M12x55mm Bolt** at each connection point.

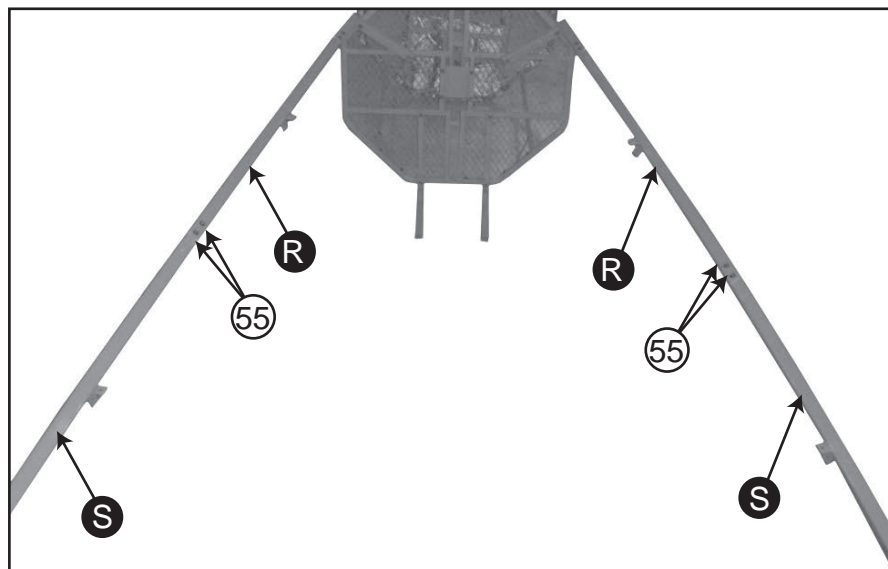


11. Attach each Shooting Rail Cover **O** to Shooting Rail **F** .  
 Attach Each Armrest Cover **L** to each Armrest **G** .  
 Attach Seat Back Cushion **N** to Seat Back **D** .  
 Attach Seat Cushion **M** to Seat Platform **E** .

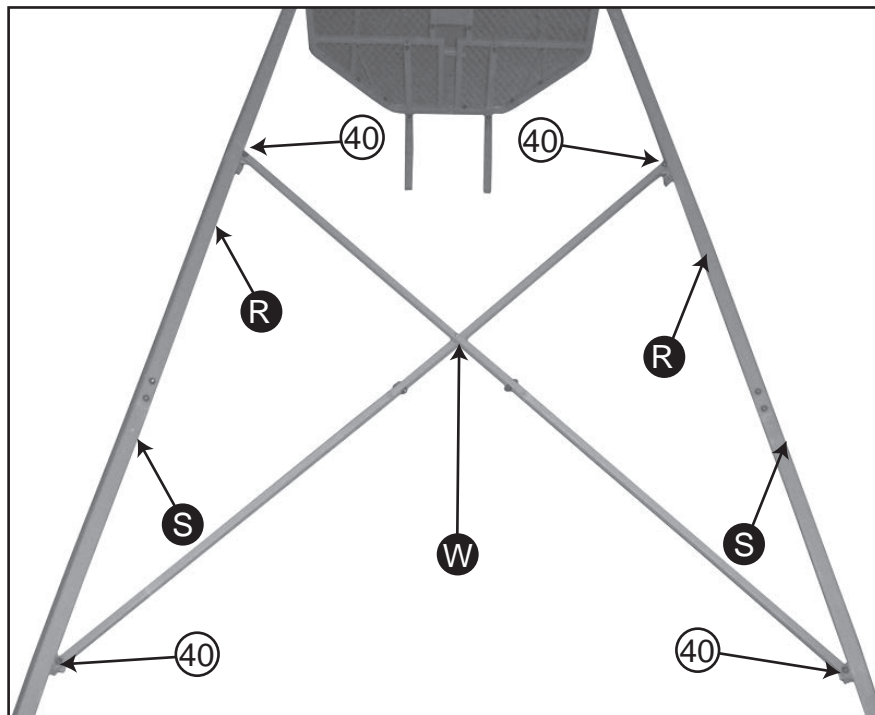
12. Tie Skirt **Q** around the top of Shooting Rail and the Platform.



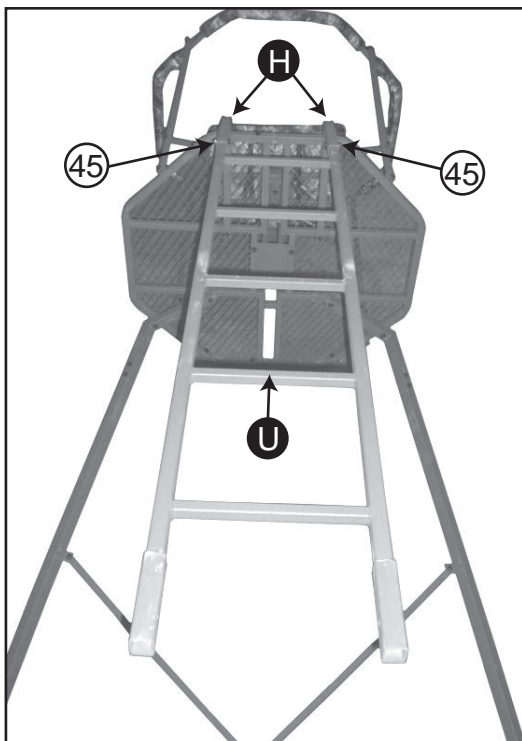
13. Insert Upper Leg **R** into Rear Leg Brace **J**.  
**(The Upper Leg has 2 holes on the Bottom)**. The brackets on the legs **MUST** be facing towards the inside of the stand. Secure with **2-M12x55mm Bolts** on each leg.



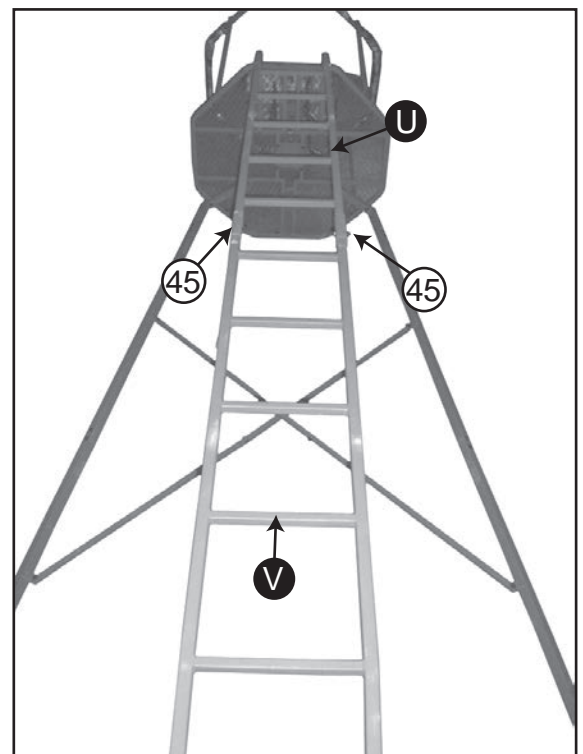
14. Insert Lower Leg **S** into Upper Leg **R**.  
**(The Lower Leg has 1 hole on the Bottom)**. The brackets on the legs **MUST** be facing towards the inside of the stand. Secure with **2-M12x55mm Bolts** on each leg.



15. Attach one Cross Brace **W** to the Upper Leg **R** and Lower Legs **S** using **1-M12x40mm Bolt** at each point. Attach Braces to the **OUTSIDE** of the Brackets

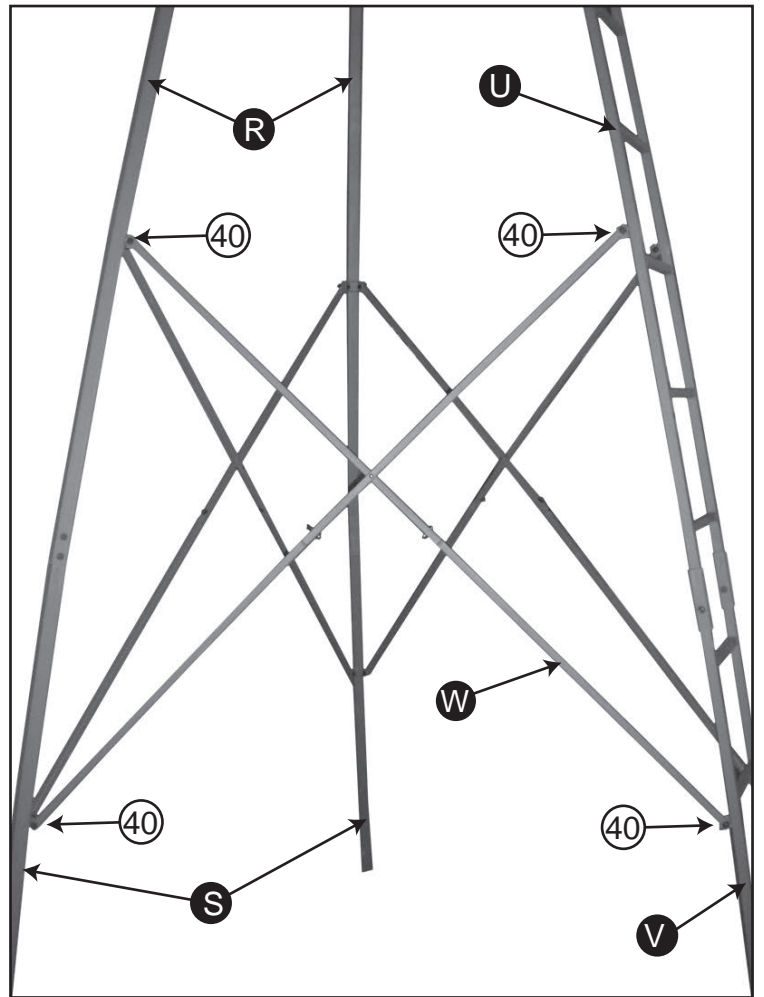
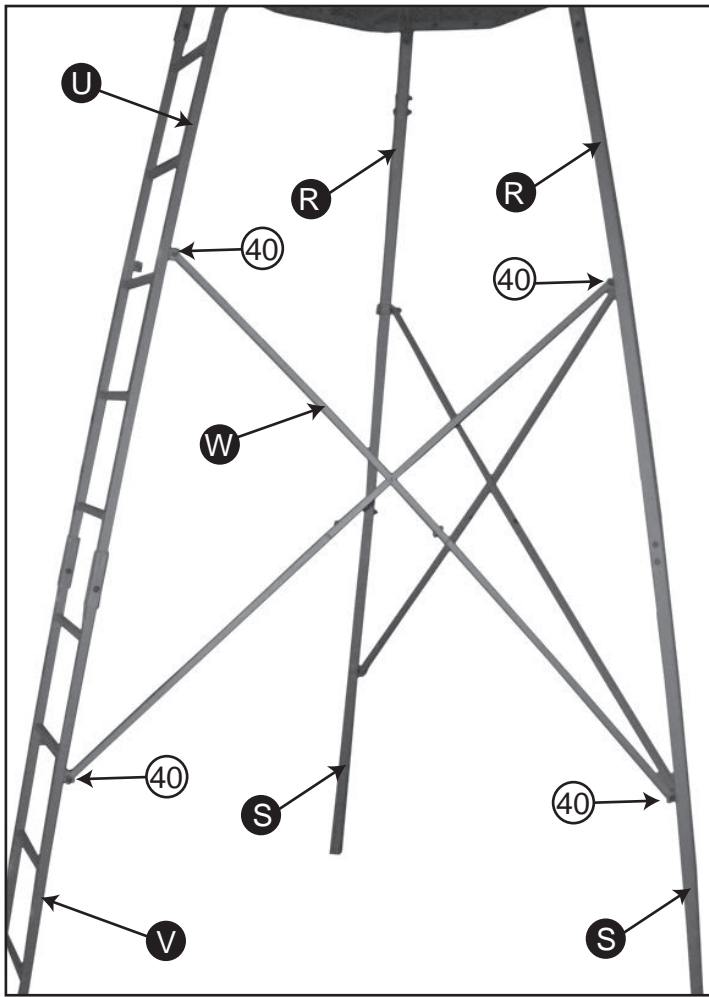


16. Insert Top Ladder Section **U** into Handle Rails **H**. The brackets on the Ladder Section **MUST** be facing towards the inside of the stand. Secure using **1-M12x45mm Bolt** on each side.



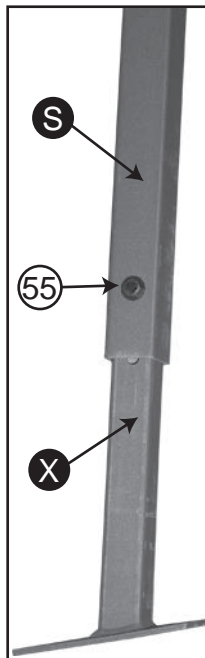
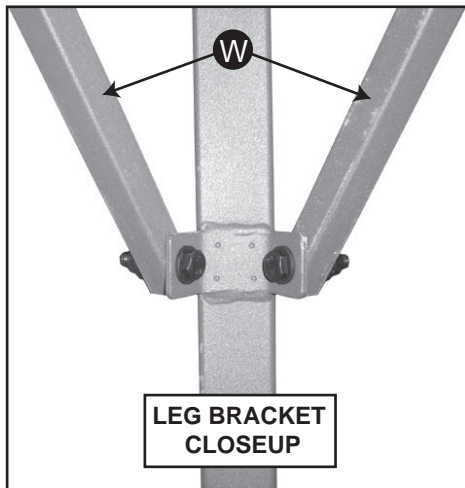
17. Insert Bottom Ladder Section **V** into Top Ladder Section **U**. The brackets on the Ladder Section **MUST** be facing towards the inside of the stand. Secure using **1-M12x45mm Bolt** on each side.





18. Attach another Cross Brace **W** to Top Ladder Section **U** and Lower Leg **S** . Attach the same Cross Brace to Bottom Ladder Section **V** and Upper Leg **R** using **1-M12x40mm Bolt** at each point. **Attach Braces to the OUTSIDE of the Brackets.**

19. Attach the last Cross Brace **W** to Top Ladder Section **U** and Lower Leg **S** . Attach the same Cross Brace to Bottom Ladder Section **V** and Upper Leg **R** using **1-M12x40mm Bolt** at each point. **Attach Braces to the OUTSIDE of the Brackets.**



20. Insert Foot **X** into Lower Leg **S** .  
The Foot is adjustable so you can raise or lower the stand as needed.  
Insert **1-M12x55mm Bolt** to secure.  
Insert Anchor Pin **Y** through the hole on each Foot **X** when the stand is in desired position.