

MODEL: WMTS-5421

VANTAGE POINT QUAD POD

Instruction and Safety Manual

- **Weight Limit: 500 lbs.**
- **Do Not Over Tighten Fasteners**



⚠ Warning

Every year serious injury and even death occurs from hunting related falls. To ensure your safety, please **COMPLETELY** read and follow this safety manual and **ALL** warning labels **BEFORE** assembling, installing or utilizing this product.

DO NOT USE THIS PRODUCT BEFORE FULLY UNDERSTANDING ALL SAFETY WARNINGS AND INSTRUCTIONS. IF YOU HAVE QUESTIONS, ARE UNSURE ABOUT ANY INFORMATION OR NEED ADDITIONAL INFORMATION CONCERNING YOUR PRODUCT, CONTACT OUR CUSTOMER SERVICE DEPARTMENT AT 1-866-972-6168 OR VISIT WWW.TREESTANDCUSTOMERSERVICE.COM. KEEP AND MAINTAIN THIS SAFETY AND INSTRUCTION MANUAL IN A SAFE LOCATION FOR FUTURE REFERENCE.

QUADPOD SAFETY WARNINGS

Please read the following instruction manual and warnings labels completely before utilizing this product. Failure to understand and execute the instructions and warnings may result in serious injury or death. In the event of an accident, have a plan for rescue, including the use of devices that may be easily reached while suspended.

ALWAYS read and understand all warnings and instructions including assembly, installation etc., before each use of this product. Failure to read and understand all warnings and instructions may result in serious injury or death. Contact a Customer Service Representative with any questions you may have.

NEVER exceed total weight limit of **500 lbs.** **DO NOT** use if your combined weight with all of your hunting gear and any accessories exceeds **300 lbs.** or the combined weight of two people and equipment exceeds **500 lbs.** Use of tree stand over the weight limit may result in serious injury or death.

DO NOT use this quadpod while under the influence of alcohol, medication or any illegal substances. Use of quadpod while under the influence of any of these substances may result in serious injury or death.

NEVER use this quadpod during inclement weather. **DO NOT** use quadpod during thunderstorms, snowstorms, hurricanes, tornadoes or any other weather conditions that include (but not limited to) lightning, icy conditions, or high winds that could create slippery or dangerous situations. End your hunt and return to the ground if inclement weather conditions arise.

NEVER use quadpod if you are feeling ill, nauseous, dizzy or if you have a prior condition that could cause a problem. i.e., heart condition, joints that lock-up spinal fusions, etc., or if you are not well rested and alert. Physical ailments can reduce your ability to safely install, utilize, and remove your treestand. Please consult a physician prior to use.

NEVER use this quadpod if you have a history of health problems such as (but not limited to) heart problems, back problems, high blood pressure, impaired vision, equilibrium impairments, are afraid of heights, have been advised by a doctor or physician not to climb. If you are not physically fit, well rested, and alert, or if you have any other physical or mental condition that would impair your ability to properly use this treestand.

NEVER jump or bounce on the quadpod's platform or ladder sections. Instead, step firmly on the first rung of the bottom ladder section to set the ladder into the ground before proceeding to climb the ladder.

NEVER transport any of your equipment with yourself while ascending or descending the ladder. You will need to have two hands free during ascending and descending for safety. Use a haul line to pull up your firearm (unloaded, chamber opened with safety lock engaged, barrel facing towards the ground), bows, arrows, knives or any other equipment to your quadpod once you have reached your desired hunting height. Prior to descending, lower your equipment on the opposite side of the quadpod from which you are climbing. Make sure that the unloaded firearm's safety lock is engaged and the gun barrel is pointing towards the ground.

ALWAYS hunt with a plan and a buddy. Before you leave home, let others know your exact location, when you plan to return and who is with you.

ALWAYS carry emergency signal devices such as a cell phone, walkie-talkie, whistle, signal flare, PLD (personal location device) and flashlight with you at all times and within reach even while you are suspended in your harness. Watch for changing weather conditions. In the event of an accident, remain calm and seek help immediately.

ALWAYS inspect the quadpod for signs of wear or damage **BEFORE** each use. Also inspect to ensure that nuts and bolts are secure. Destroy all products that cannot be repaired by the manufacturer. Contact a Customer Service Representative for replacement parts.

NEVER modify your quadpod in any way by making repairs, replacing parts, or altering, adding or attaching anything to it except if explicitly authorized in writing by the manufacturer. Improper installation or adjustment may cause serious injury or death. Remove all contents from box. Inspect for any damaged or missing parts. If any parts are missing or damaged, you must only use certified replacement parts. Using any other replacement parts will void product warranty. **THERE ARE NO EXTRA PARTS.** All parts **MUST** be used to ensure the safety of you and your stand. If you think parts are missing or damaged, **STOP IMMEDIATELY** and contact our Customer Service Department. Using the quadpod with missing or damaged parts may result in serious injury or death. **DO NOT** return this product to the retailer. Contact a Customer Service Representative if you have any missing, damaged or extra parts.

ALWAYS keep instructions in a safe place and review before each use. It is the responsibility of the quadpod owner to furnish the complete instructions to anyone who borrows or purchases the treestand from you.

QUADPOD SAFETY WARNINGS

NEVER use this quadpod for any use other than hunting.

NEVER use this quadpod for trimming trees.

NEVER fall asleep in your stand as you may fall out resulting in serious injury or death.

ALWAYS be sure to retighten all bolts **BEFORE** each new use of quadpod.

ALWAYS have a minimum of three people present when installing or removing this quadpod.

NEVER adjust your stand while in use. Practice the attachment of this quadpod at ground level before using in a hunting environment. **ALWAYS** ensure that you and your quadpod are safely secured to a healthy tree. Your quadpod **MUST** be attached tightly to the tree and secured in place. If the stand is not secure, it may shift while in use, resulting in serious injury or death.

ALWAYS inspect every ladder section connection every time you use the stand before you leave the ground. If ladder sections are separating, with the help of at least two other people, lower the stand to the ground, make adjustments, and reinstall.

ALWAYS check the ground below the quadpod to make sure it is firm and level. Sloping ground or uneven terrain (one side of a rock or root) can cause your quadpod to tilt or shift.

ALWAYS maintain three points of contact when climbing the quadpod. (Two feet and one hand **or** one foot and two hands.)

DO NOT leave your quadpod outside since weather or animals may cause damage. It must be stored inside when not in use.

NEVER wear jewelry or loose fitting clothing, which can cause hazardous conditions. Clothing may be caught in your equipment and cause you to fall. You must always wear non-slip or rubber boots. Shoelaces must be tucked into your boots. Rings and necklaces **MUST NOT** be worn.

NEVER use this treestand with a third person. The treestand is designed for use by **ONE** person or **TWO** people.

NEVER let children use this quadpod without adult supervision. This quadpod is not a toy. No one under the age of 18 should attempt to use this product without direct adult supervision.

DO NOT use quadpod if any nuts or bolts or parts are loose, bent, or crooked.

ALWAYS know your physical limitations. Don't take chances. If you start thinking about how high you are, don't go any higher. Instead, choose a minimum height that will allow for safe, effective and comfortable hunting.

ALWAYS lean **forward towards the ladder** as you climb **NEVER** lean out from the quadpod for any reason.

Be aware that falls can occur at anytime after leaving the ground.

NEVER remove any safety warning stickers from this product.

Safety must be your first priority during the use of this product.

WARNING

DO NOT use this ladderstand without reading and following all warnings and instructions before each use. Failure to do so may result in serious injury or death.

ALWAYS inspect your ladderstand before each use. **DO NOT** use if parts are missing, worn, or damaged.

ALWAYS wear a Full Body Harness while using this ladderstand. Failure to wear a full body harness while using this ladderstand may result in serious injury or death.

DO NOT exceed the ladderstand's 300 lbs. weight limit which includes your body weight as well as weight of clothes and gear. Exceeding the ladderstand's weight limit may cause the treestand to break or fall resulting in serious injury or death.

NEVER stand on treestand seat or any other part of these parts may cause the treestand to break or fall resulting in serious injury or death.

NEVER alter, modify, or repair the ladderstand. Any alteration may result in serious injury or death and will void all warranties.

NEVER use the ladderstand on a tree that is diseased, leaning, or on wet, uneven ground. The tree may fall, break, or uproot and may result in serious injury or death.

NEVER use ladderstand during inclement weather. **DO NOT** use ladderstand during thunderstorms or any other weather conditions including (but not limited to) lightning, freezing rain, high wind that could create slippery or dangerous conditions.

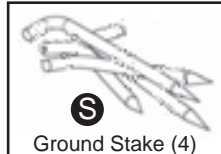
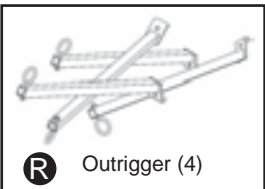
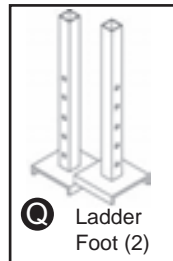
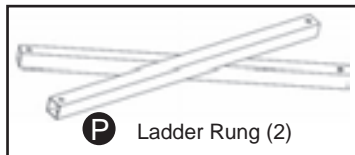
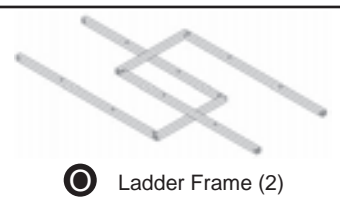
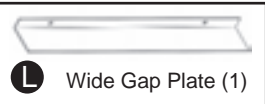
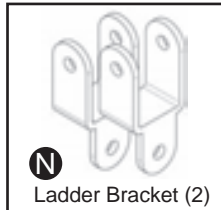
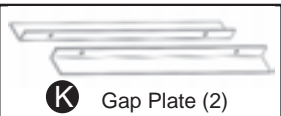
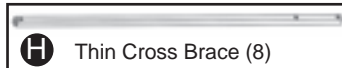
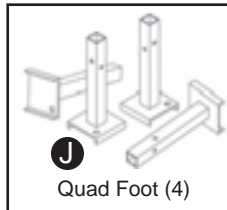
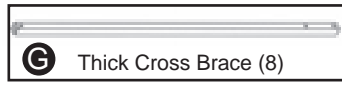
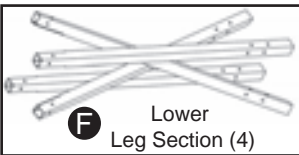
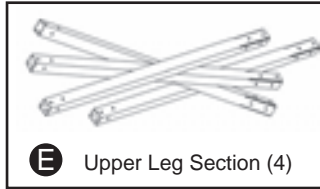
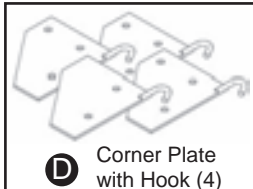
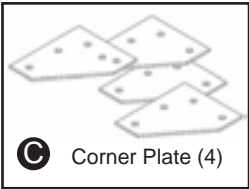
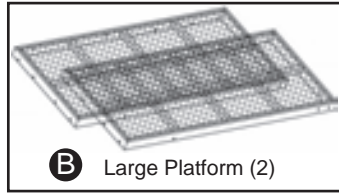
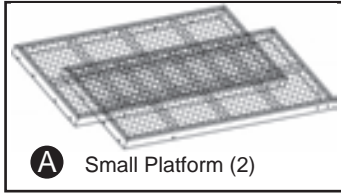
DO NOT use ladderstand under the influence of alcohol, drugs, or medication. Using ladderstand under the influence of alcohol, drugs, or medication may result in serious injury or death.

Use ladderstand if you have dizzy spells, a heart problem, are afraid of heights, have been advised by a doctor or other health care provider not to climb, or have any condition that would impair your ability to climb up or down or use treestand as it could result in serious injury or death. **NEVER** remove or deface ladderstand warning labels. Replacement labels can be obtained from the address below.

MODEL: WMTS-5421

VANTAGE POINT QUAD POD

- **Weight Limit: 500 lbs.**
- **Do Not Over Tighten Fasteners**

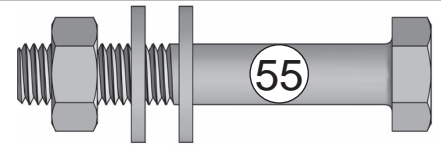


PARTS LIST

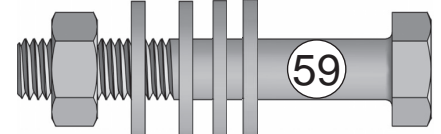
A	2	Small Platform.....	Part # WSP-5421
B	2	Large Platform.....	Part # WLP-5421
C	4	Corner Plate.....	Part # WCP-5421
D	4	Corner Plate with Hook.....	Part # CPH-5421
E	4	Upper Leg Section.....	Part # WUL-5421
F	4	Lower Leg Section.....	Part # WLL-5421
G	8	Thick Cross Brace.....	Part # CBK-5421
H	8	Thin Cross Brace.....	Part # CBN-5421
J	4	Quad Foot.....	Part # WQF-5421
K	2	Gap Plate.....	Part # WGP-542
L	1	Wide Gap Plate.....	Part # GP-5421
M	2	Door Hatch.....	Part # WDH-5421
N	2	Ladder Bracket.....	Part # WLB-5421
O	2	Ladder Frame.....	Part # WLF-5421
P	2	Ladder Rung.....	Part # WLR-5421
Q	2	Ladder Foot.....	Part # VLF-5421
R	4	Outrigger.....	Part # WOR-5421
S	4	Ground Stake.....	Part # WAP-500

HARDWARE

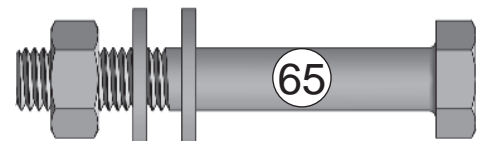
70	16	M12x70mm (GREEN) Bolt.....	Part # 1270
65	8	M12x65mm (ORANGE) Bolt.....	Part # 1265
59	2	M12x55mm (BROWN) Bolt.....	Part # 1259 w/ 4 washers
55	52	M12x55mm (BLACK) Bolt.....	Part # 1255
48	4	M12x45mm (YELLOW) Bolt.....	Part # 1248 w/3 washers
40	28	M12x40mm (BLUE) Bolt.....	Part # 1240



52 - M12x55mm (BLACK) Bolt (2 Washers, 1 Lock-Nut)



2 - M12x55mm (BROWN) Bolt (4 Washers, 1 Lock-Nut)



8 - M12x65mm (ORANGE) Bolt (2 Washers, 1 Lock-Nut)



28 - M12x40mm (BLUE) Bolt (2 Washers, 1 Lock-Nut)

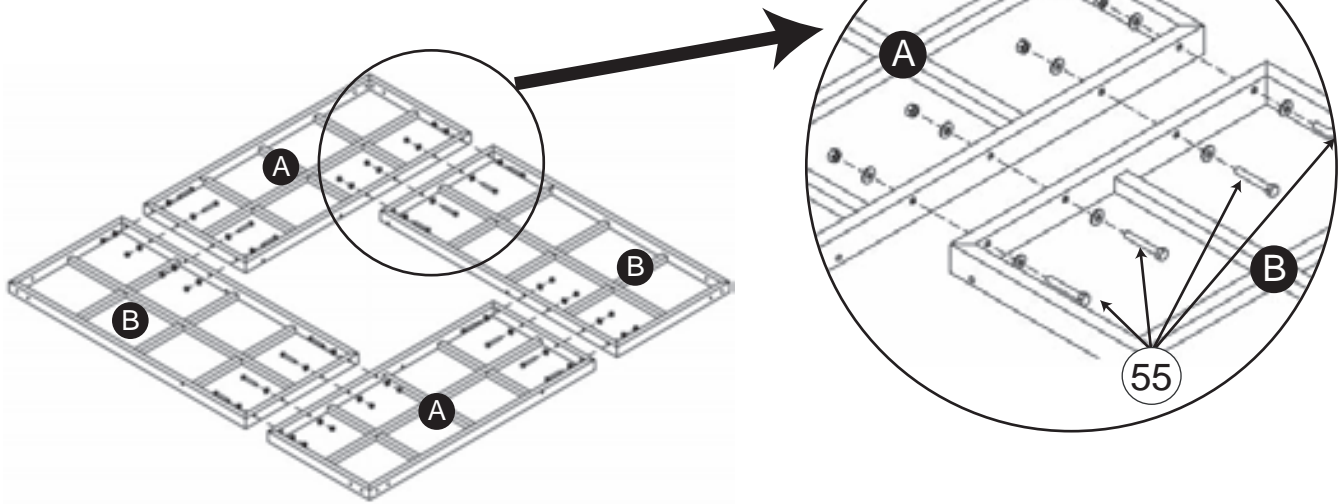


4 - M12x45mm (YELLOW) Bolt (3 Washers, 1 Lock-Nut)

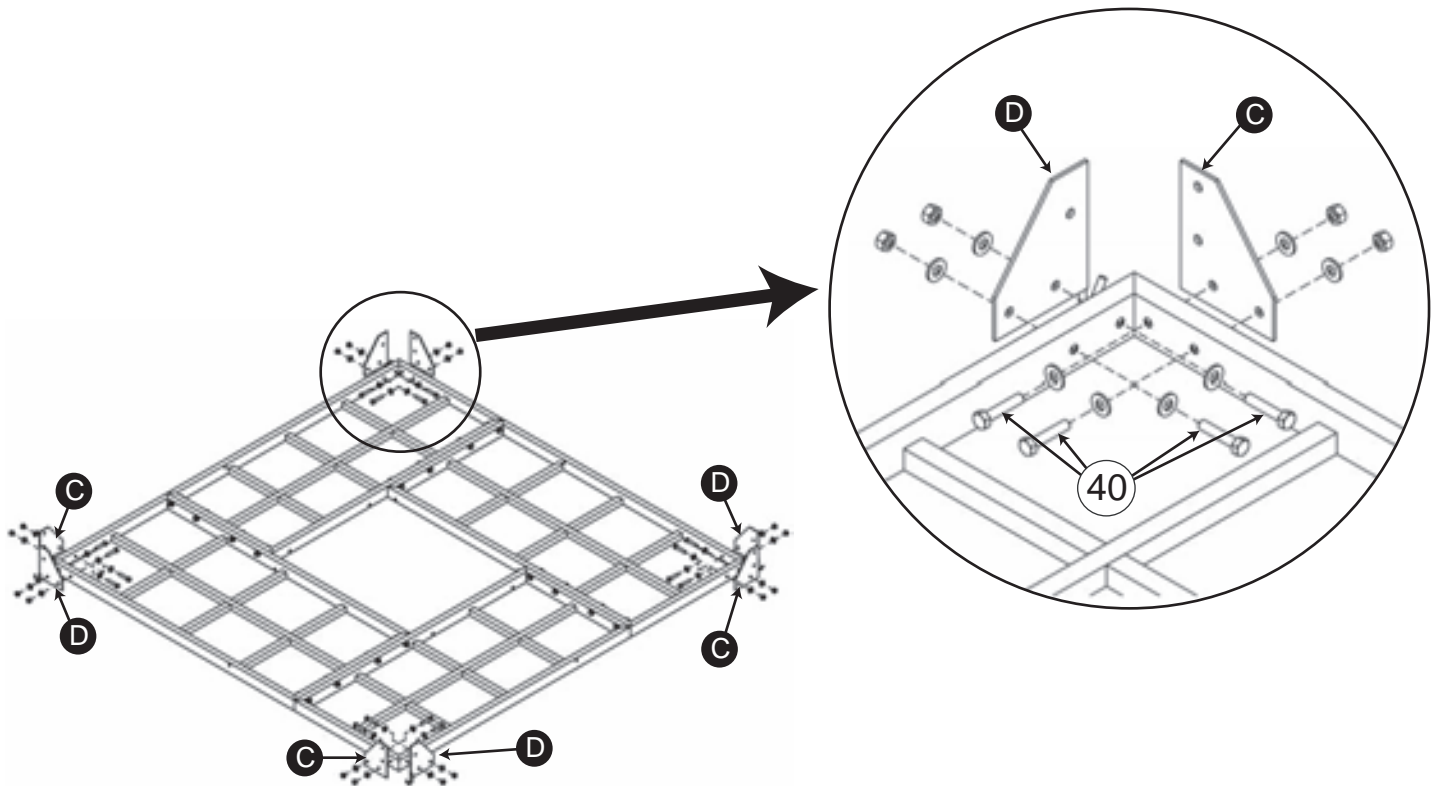


16 - M12x70mm (GREEN) Bolt (2 Washers, 1 Lock-Nut)

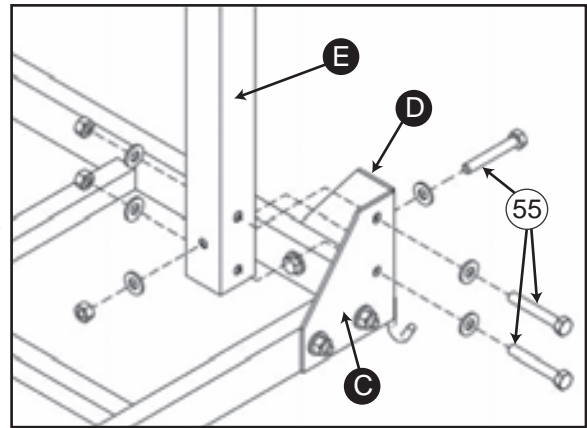
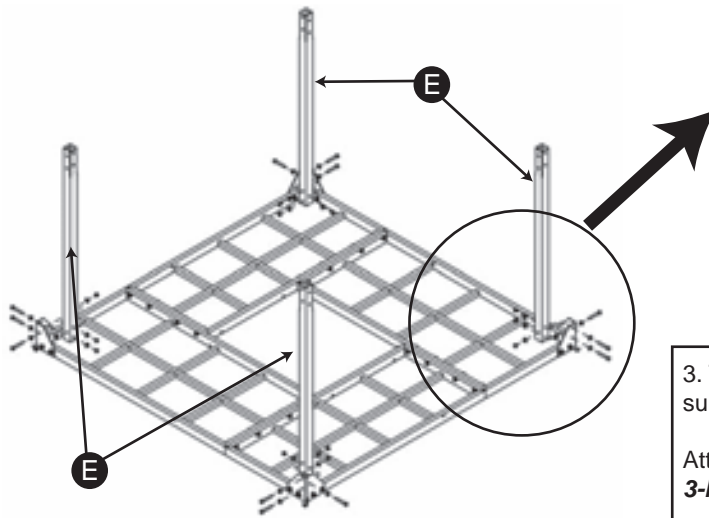
IMPORTANT! LAY OUT PLATFORMS MESH DOWN



1. Lay out Small Platform Sections **A** and Large Platform Sections **B** (**MESH DOWN**), opposite from each other. Line up the 4 connection holes where each Platform Section meets and secure each hole with **M12x55mm (BLACK) Bolts**, 4 per connection point (**16 total**).

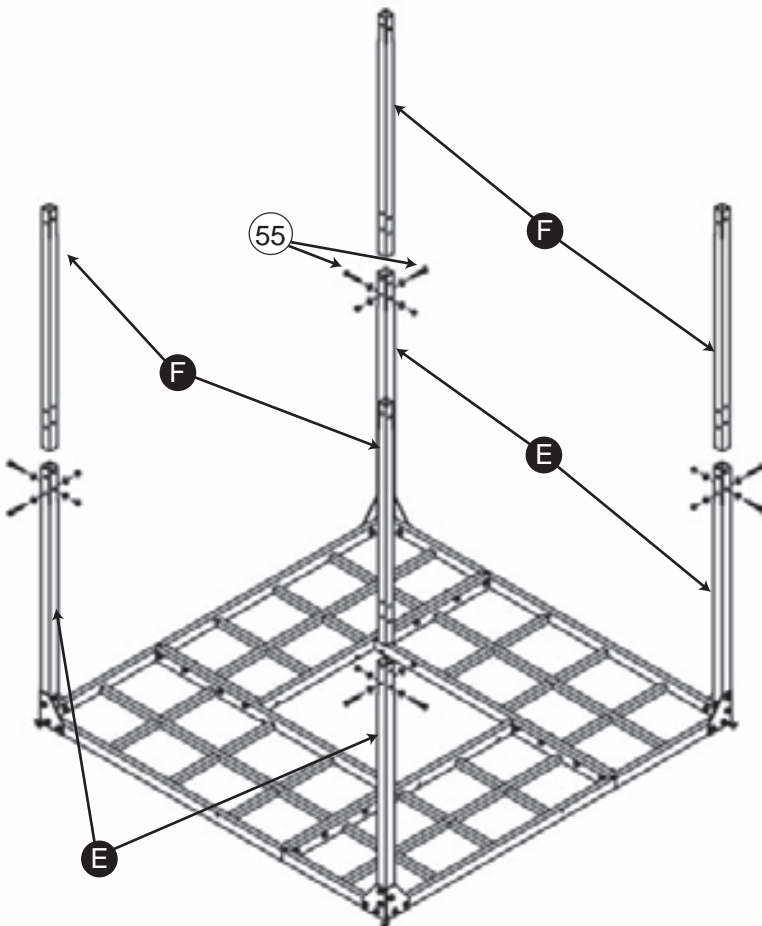


2. Each corner of the assembled platform will get 2 Corner Plates, one with a hook, one without. Mount Corner Plate **C** to each corner of the platform. **Make sure that the long edges meet at the corners.** Mount Corner Plate with Hook **D** to each corner of the platform. **Make sure that the long edge meets up against Corner Plate C.** The hook will be pointing out away from the platform. The hooks will be used to help secure a blind on top of the Quad Pod. Attach every Corner Plate using **2-M12x40mm (BLUE) Bolts (16 Total)**.



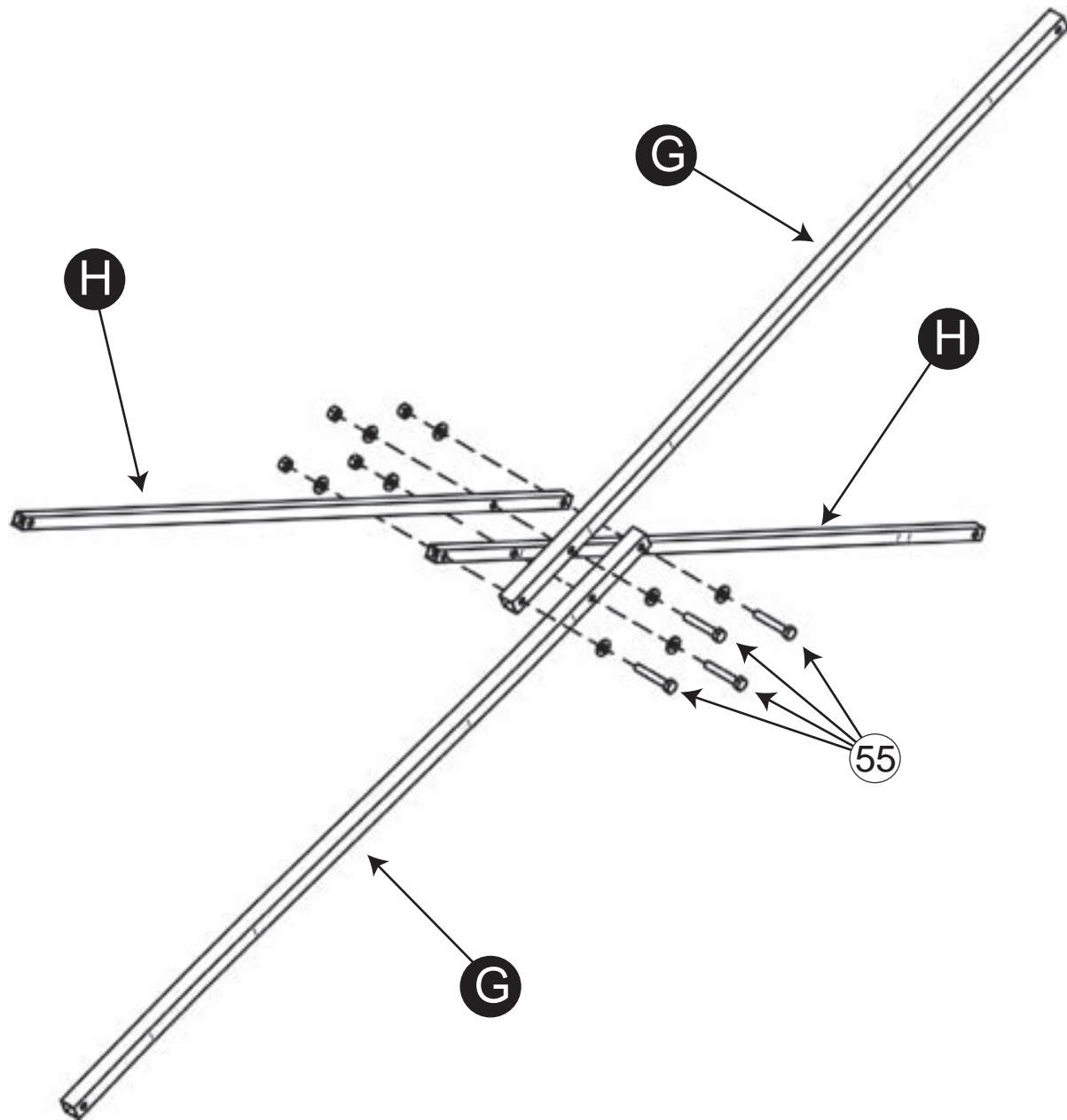
3. The bottom of each leg has slits cut in three corners. Make sure the **UN-CUT CORNER** is facing **OUTSIDE** the platform.

Attach Upper Leg **E** to Corner Plates **C** and **D** using **3-M12x55mm BLACK Bolts**. (12 Total) Tighten Completely.



4. Attach Lower Legs **F** to Upper Legs **E** using **2-M12x55mm BLACK Bolts** for each leg, (8 Total). Only run through Upper Holes. Leave Two Lower Holes Open until **CROSS BRACES** are installed (Step 5).

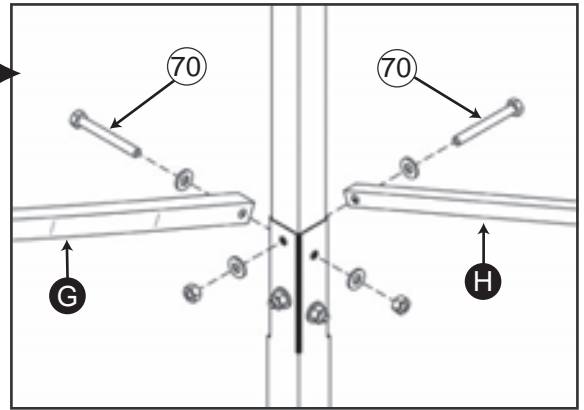
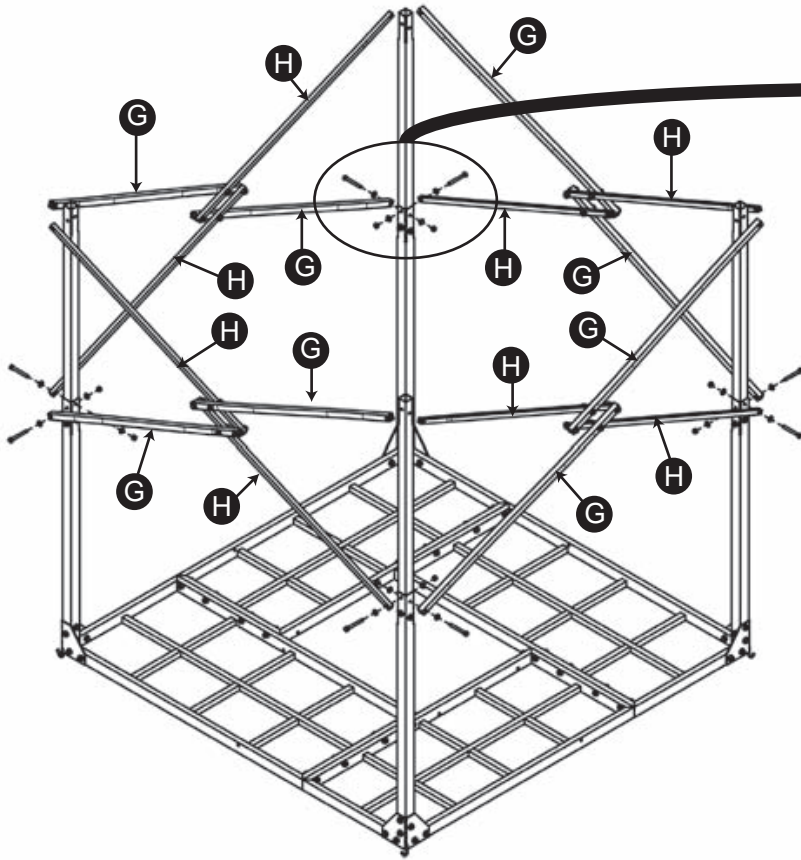
DO NOT TIGHTEN BOLTS COMPLETELY YET.



5. Build Cross Brace Assembly using 2 Thick Cross Braces **G** and 2 Thin Cross Braces **H** . Bolt each Cross Brace Assembly together using **4-M12x55mm BLACK Bolts. (16 Total)**

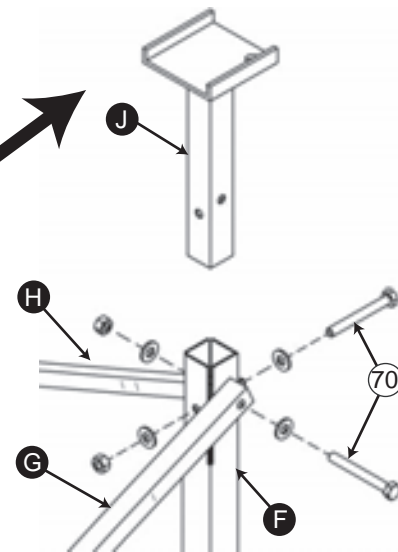
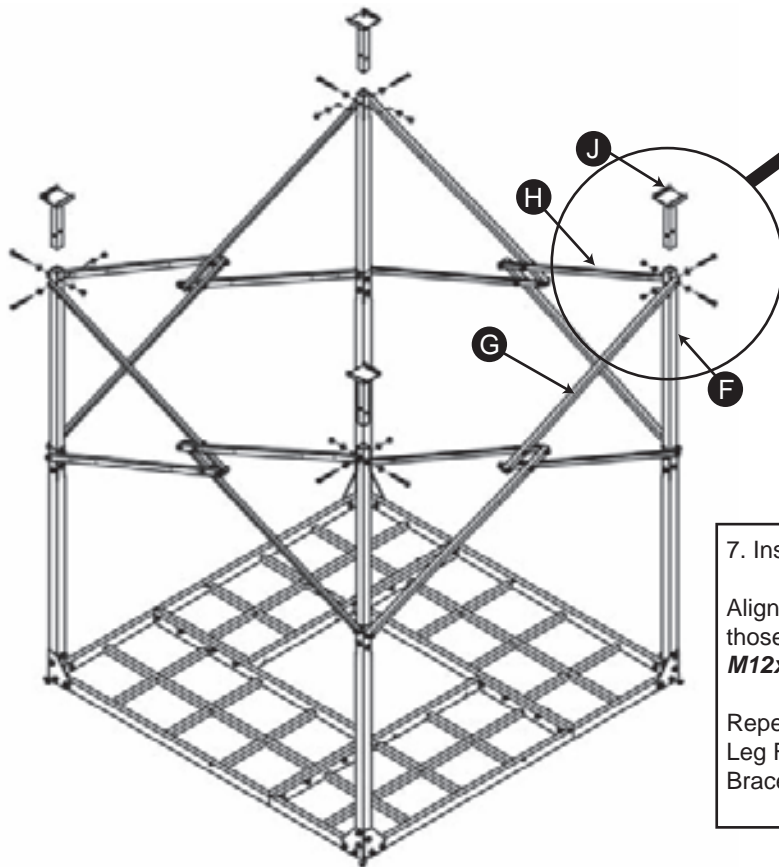
Lay the each cross brace on the floor as shown. It is crucial that this step is followed precisely. If the cross braces are not correctly assembled, the legs of the stand will not be aligned.

The Top hole of Thick Cross Brace **G** will attach to the top hole of Thin Cross Brace **H** . The Bottom hole of Thick Cross Brace **G** will attach to the bottom hole of Thin Cross Brace **H** . Repeat process until all (4) Cross Brace Assemblies are completed.



6. Mount Cross Brace Assemblies to Legs using **M12x70mm GREEN Bolts**. For Steps 6 and 7, each assembly will be mounted with **4-M12x70mm GREEN Bolts (16 Total)**.

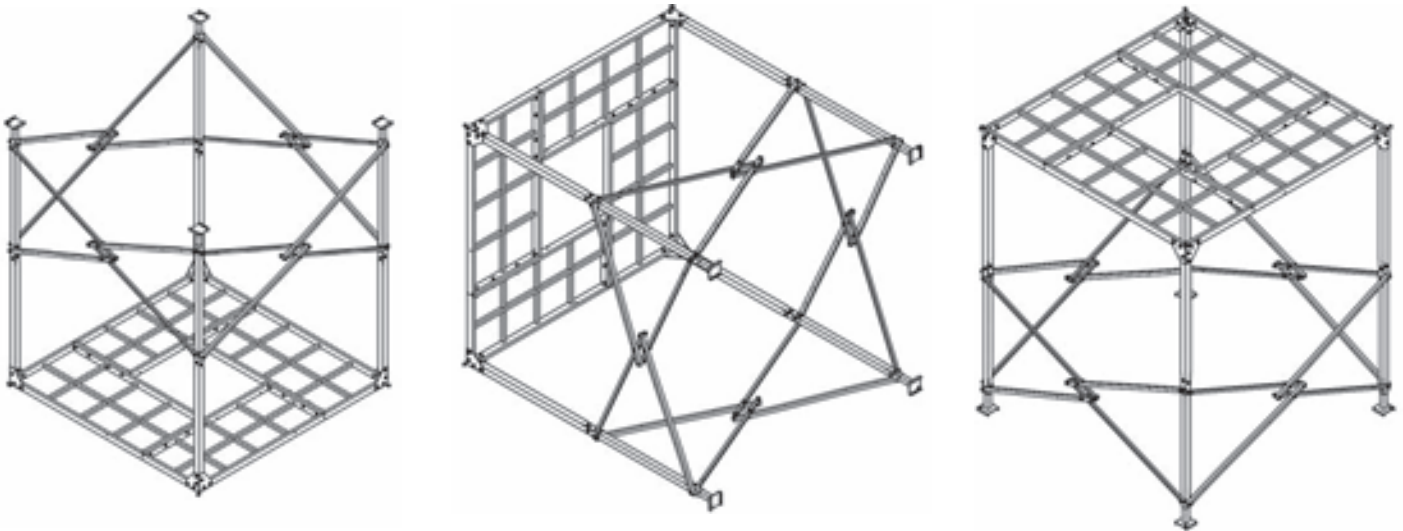
Study the diagram carefully. Mount Cross Brace Assembly to Lower Leg connection point first. **DO NOT TIGHTEN BOLTS YET.** Then, mount Cross Brace Assembly to the Upper Leg connection point. **DO NOT TIGHTEN BOLTS YET.**



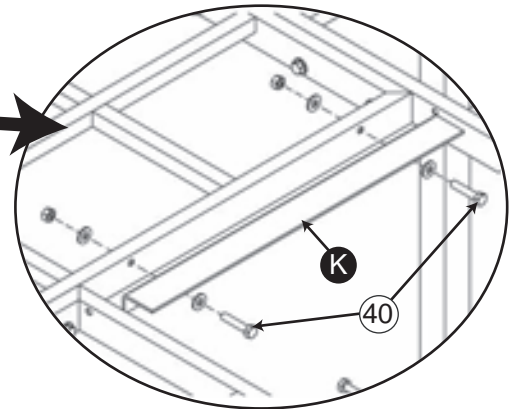
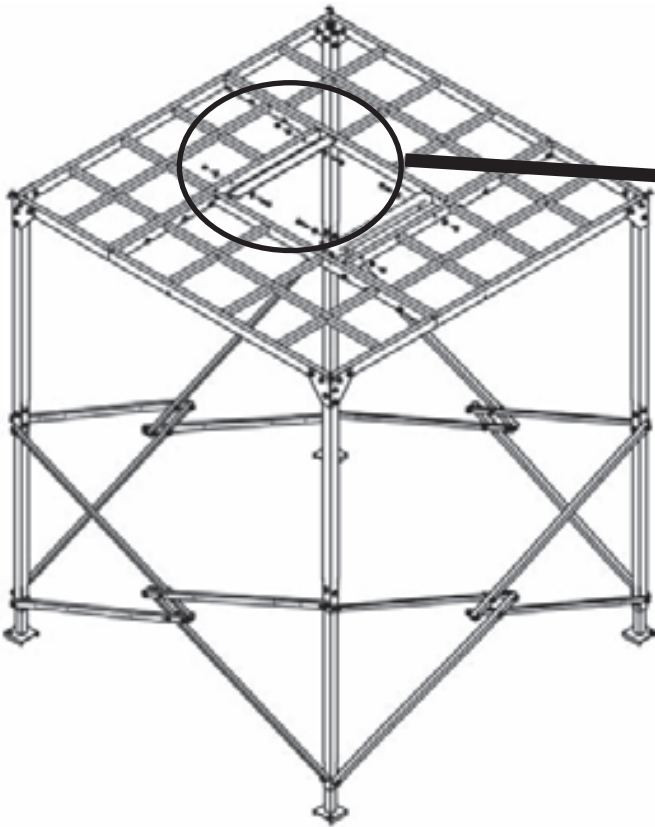
7. Insert all Leg Feet **J** into each Bottom Leg Section **F** .

Align lower half of Cross Brace Assembly connection holes with those on Bottom Leg Section and Leg Feet. Secure with **M12x70mm GREEN Bolts from the previous step.**

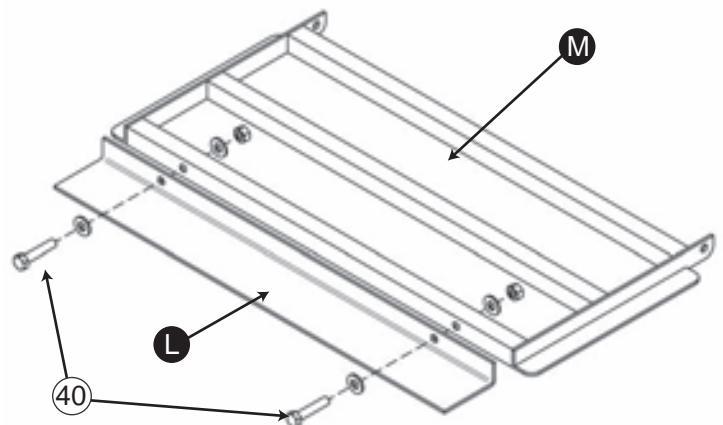
Repeat step 7 until all Cross Brace Assemblies are mounted and all Leg Feet are installed. Once mounted, tighten all bolts on Legs and Braces.



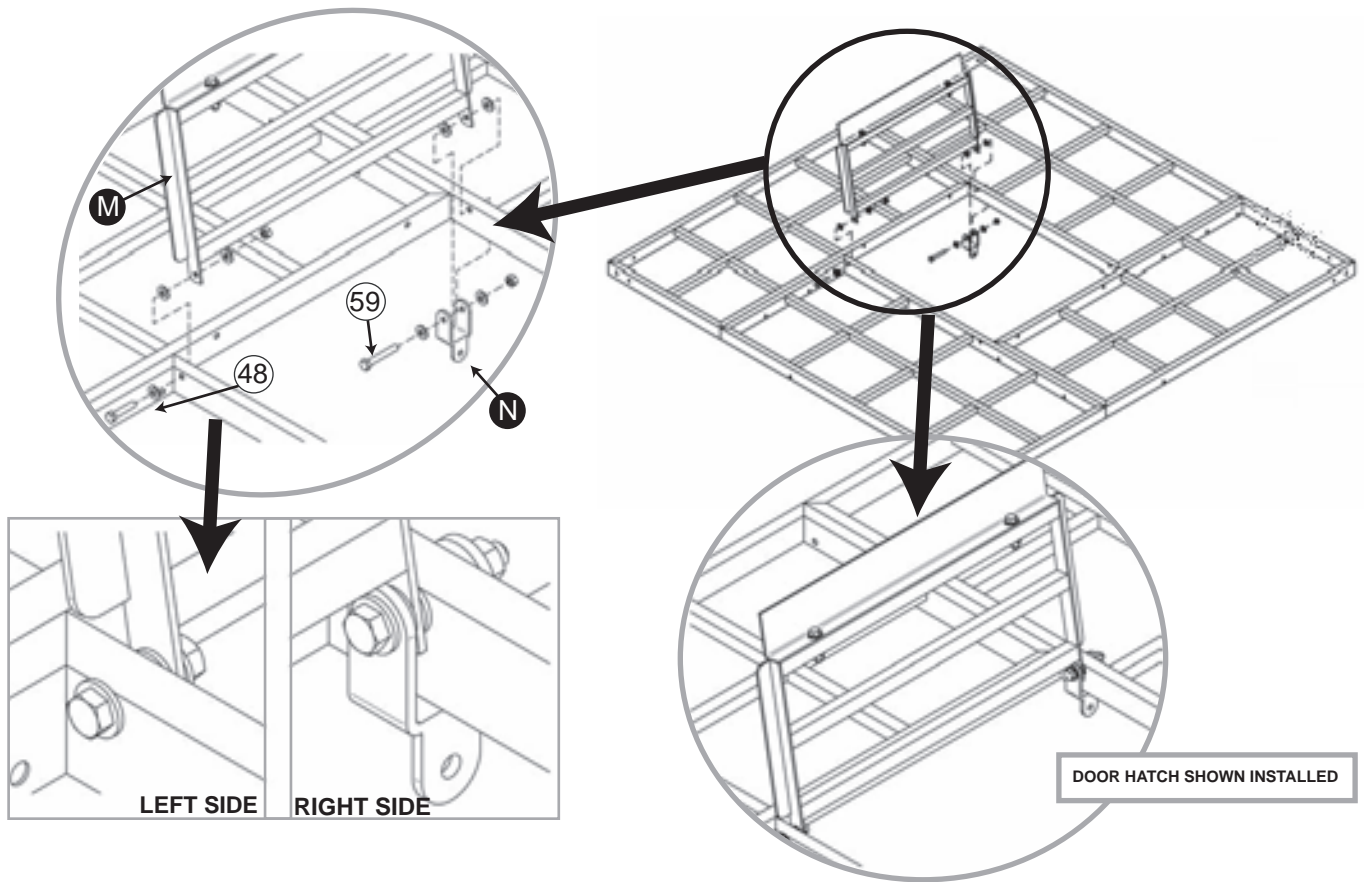
8. With the help of at least two other people, flip the Quad Pod so it is upright on it's feet.



9. Attach each Gap Plate **K** to the opposite sides of the opening in the center of the platform using **2-M12x40mm (BLUE) Bolts**. Make sure that the closed side is facing up. (4 Total)

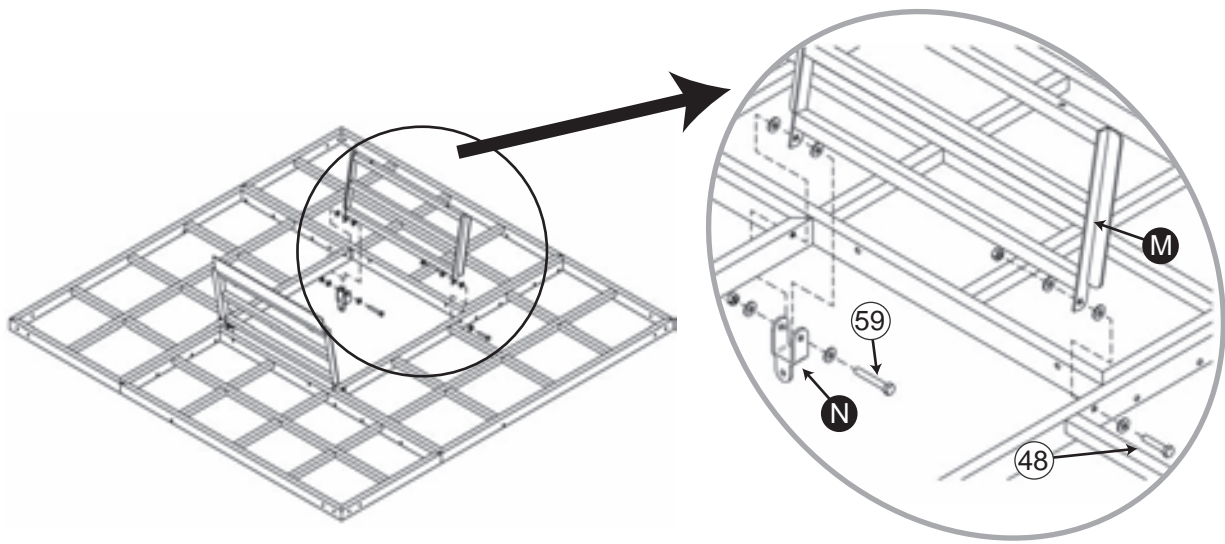


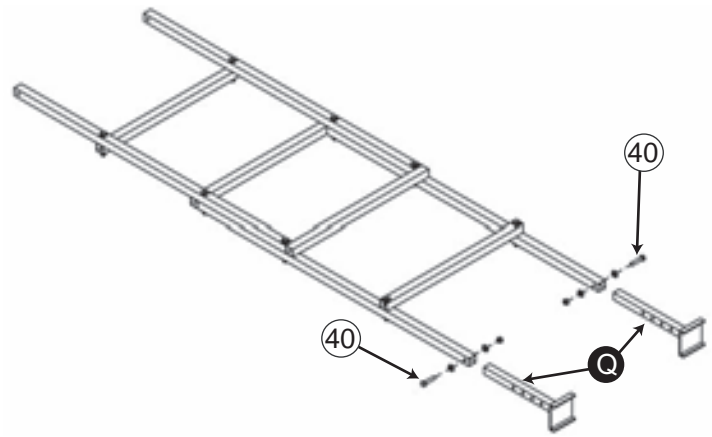
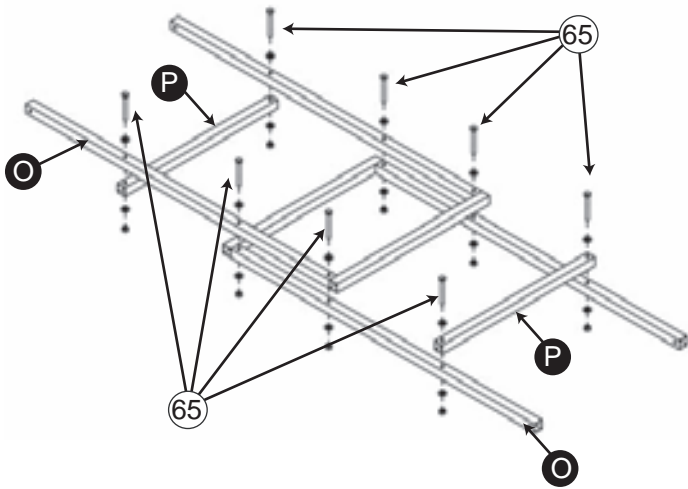
10. Attach Wide Gap Plate **L** to one of the Door Hatches **M** using **2-M12x40mm (BLUE) Bolts**. (2 Total)



11. Mount each Door Hatch **M** to the platform, one at a time. Use **1-M12x45mm (YELLOW) Bolt w/3 washers** on one side. Use **1-M12x55mm (BROWN) Bolt w/ 4 washers** to mount one Ladder Bracket **N** to the Door Hatch **M** and Platform. **(Total 2 each)**

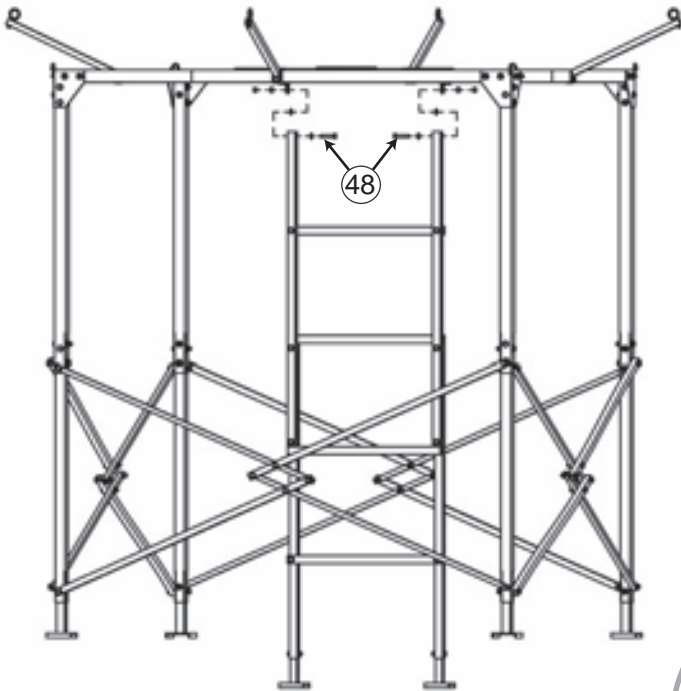
Repeat process with other Door Hatch **M** and Ladder Bracket **N** . Make sure that the Ladder Brackets are on the same side of hatch and mounted properly.



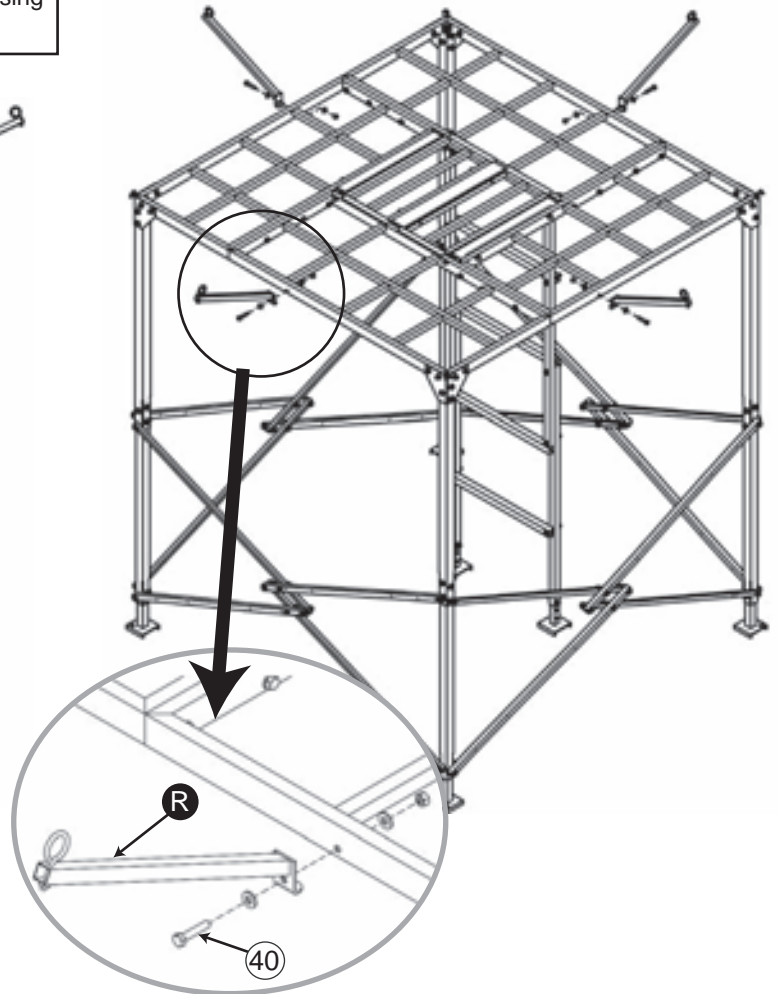


12. Build Ladder by connecting both Ladder Frames **O** together using **2-M12x65mm (ORANGE) Bolts. (8 Total)** Attach one Ladder Rung **P** to top of Ladder Section using **2-M12x65mm (ORANGE) Bolts.** Attach other Ladder Rung **P** to bottom of Ladder Section using **2-M12x65mm (ORANGE) Bolts.**

13. Insert Ladder Feet **Q** into the Bottom of Ladder Section use **1-M12x40mm (BLUE) Bolt** on each side to secure. **(2 Total)**



14. Attach assembled Ladder Section to Ladder Brackets **N** using **1-M12x45mm (YELLOW) Bolts** with three washers. **(2 Total)**



15. Attach each Outrigger **R** to Platform using **1-M12x40mm (BLUE) Bolt. (4 Total)**

IMPORTANT! QUAD POD is designed to use blinds with a **FOOTPRINT** of **60" square ONLY**

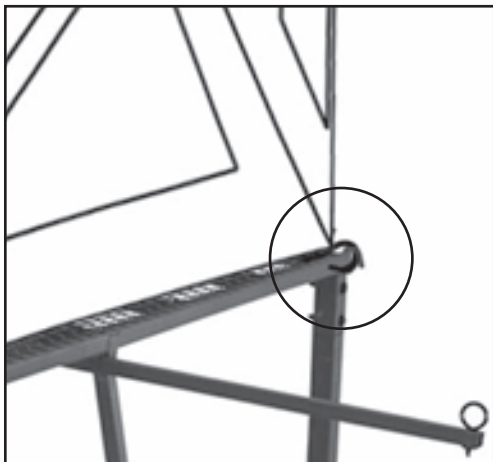


IMPORTANT! It is recommended that **LADDER FEET** be adjusted to compensate for uneven ground underneath QUAD POD and should be at a slight angle to ease entry and exit from the platform. Adjustments may need to be made once QUAD POD is set up in the field.

15. Insert Ground Stakes **S** through the holes on each Quad Foot **J**. Step firmly or hammer into ground, so that they are securely holding the Quad Pod to the ground.

IMPORTANT! ALWAYS watch your footing when bringing blind up and down from the platform

CAUTION! Check ground underneath stand to ensure it is firm and level. **NEVER** on the side of a hill or any area that will create a sloping angle on platform. This could result in platform tipping over while in use. If you are setting up QUAD POD on slightly uneven ground, be sure to level out ground underneath feet of the QUAD POD so all feet are firmly planted and platform is as close to level as possible. **SERIOUS INJURY** or **DEATH** may occur if used on uneven terrain.



Once you have your blind fully erected on Platform, make sure **ALL FOUR CORNERS OF BLIND** are square with hooks on **OUTSIDE** each corner on QUAD POD (**See Above**)



HUB BLINDS: Have loops on each HUB RING. Use a ladder to connect rope from each hub to rings on end of each OUTRIGGER. Secure these **IN ADDITION TO** loops on hooks on each corner edge of Platform to hold blind securely to Platform.

IMPORTANT! Once blind is opened, be sure blind door **FACES** ladder.

CAUTION! - By attaching any blind to an elevated platform you are increasing the risk of wind. Make sure blind and elevated platform is installed completely, with all stakes and tie-downs installed.

Hunting For Low Prices?

These Items
Now Available at
Walmart and Walmart.com



20' STICK LADDER



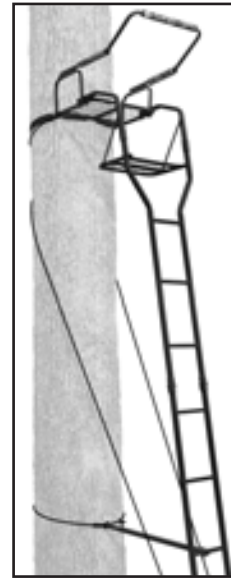
HANG-ON TREESTAND



BONE COLLECTOR HANG-ON TREESTAND



CLIMBER



16' RECON LADDERSTAND



15' TWO-MAN LADDERSTAND

Check Out Walmart.com For Even More Tree Stands and Accessories



STEEL RAPID RAILS



BONE COLLECTOR AVENGER ALUMINUM HANG-ON TREESTAND



15' TRIPOD



TRIPOD ROOF KIT