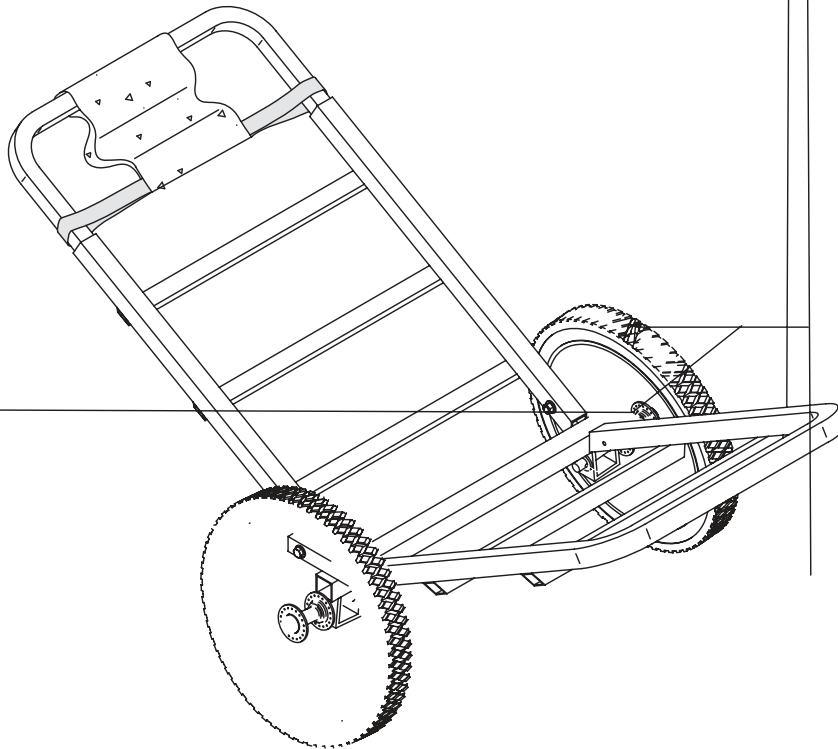


MODEL: 7800

NON-TYPICAL DEER CART

- **Weight Capacity: 300 lbs.**

Instruction and Safety Manual



Warning

THINK SAFETY!

- **READ ALL INSTRUCTIONS PRIOR TO ASSEMBLING DEER CART**
- **DO NOT** assemble Deer Cart if any parts are missing or damaged
- **DO NOT** sit in or ride on Deer Cart. Sitting or riding on Deer Cart may result in serious injury or death
- **DO NOT** stand on Deer Cart. Standing on Deer Cart may result in serious injury or death.
- Weight limit of this Deer Cart is **300 lbs.**

Warning

Every year serious injury and even death occurs from hunting related falls. To ensure your safety, please **COMPLETELY** read and follow this safety manual and **ALL** warning labels **BEFORE** assembling, installing or utilizing this product.

DO NOT USE THIS PRODUCT BEFORE FULLY UNDERSTANDING ALL SAFETY WARNINGS AND INSTRUCTIONS. IF YOU HAVE QUESTIONS, ARE UNSURE ABOUT ANY INFORMATION OR NEED ADDITIONAL INFORMATION CONCERNING YOUR PRODUCT, CONTACT OUR CUSTOMER SERVICE DEPARTMENT AT 1-866-972-6168 OR VISIT WWW.PRIMALVANTAGE.COM. KEEP AND MAINTAIN THIS SAFETY AND INSTRUCTION MANUAL IN A SAFE LOCATION FOR FUTURE REFERENCE.



MODEL: 7800

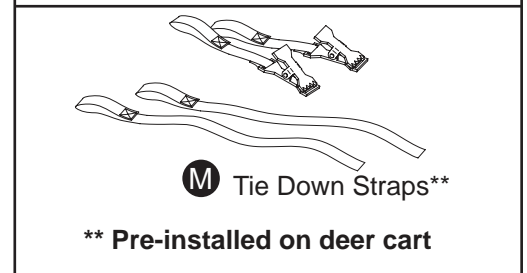
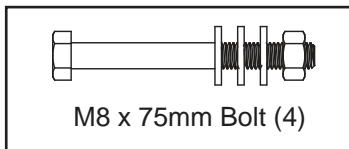
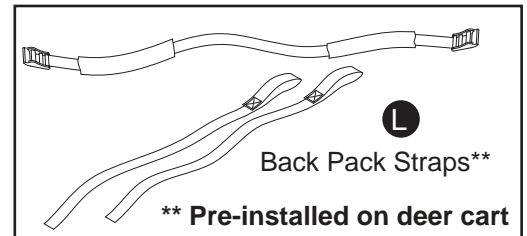
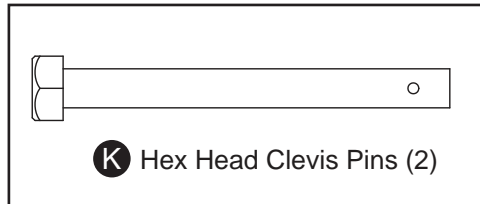
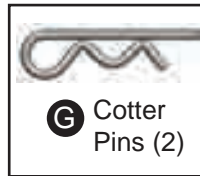
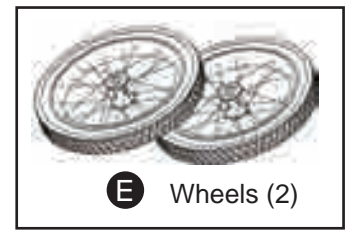
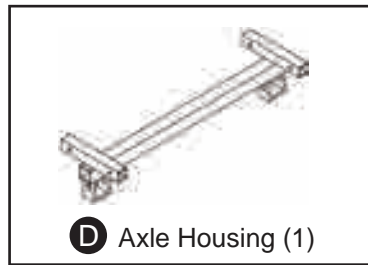
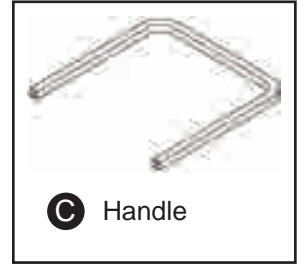
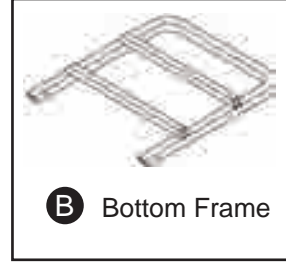
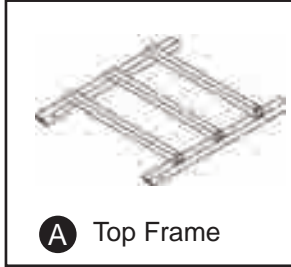
NON-TYPICAL DEER CART

• Weight Capacity: 300 lbs.



PARTS LIST

A	1 Top Frame	Part # NTF-780
B	1 Bottom Frame	Part # NBF-780
C	1 Handle	Part # NHD-780
D	1 Axle Housing	Part # NAH-780
E	2 Wheels	Part # DW-224
F	1 Game Support Pad	Part # NGP-780
G	2 Cotter Pins	Part # NCP-780
H	2 Large Washers	Part # NLW-780
J	2 Spacer Sleeves	Part # NS-780
K	2 Hex Head Clevis Pins	Part # NHC-780
L	1 Backpack Straps	Part # NBP-780
M	2 Tie Down Straps	Part # NTD-780
75	2 M8x75mm Bolt	Part # 1275
70	2 M8x70mm Bolt	Part # 1270



- 1 Attach BOTTOM and TOP FRAME to AXLE HOUSING using (2) M8 x 75mm bolts and (2) M8 x 70mm bolts as shown in Figure 1 and Figure 2.

Figure 1

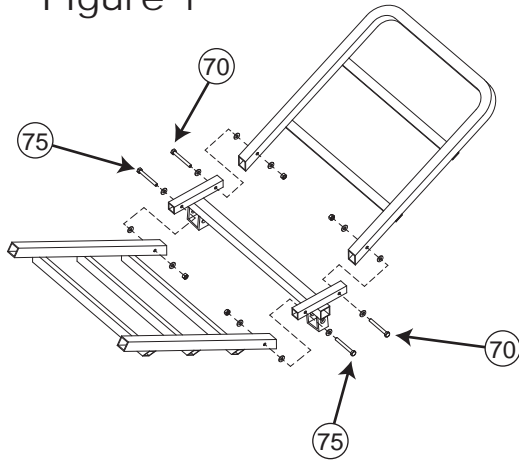
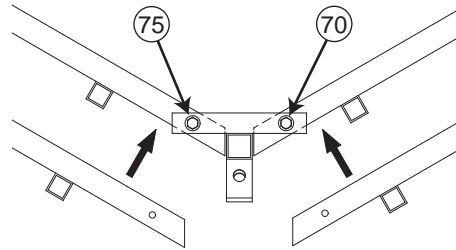
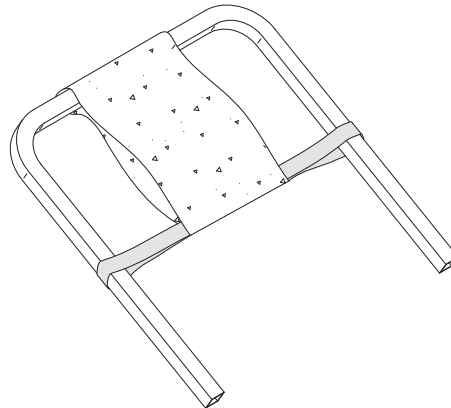


Figure 2



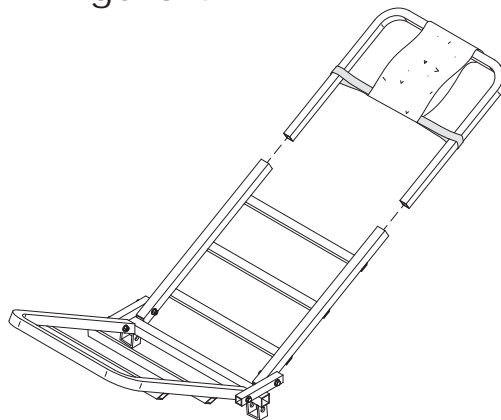
- 2 Slide GAME SUPPORT PAD onto HANDLE as shown in Figure 3.

Figure 3



- 3 Insert HANDLE into TOP FRAME as shown in Figure 4. Press locking buttons while sliding HANDLE in until buttons snap into adjustment holes.

Figure 4



PRIMAL
VANTAGE CO.

Distributed by Primal Vantage Co. Inc. 685 Route 10 Randolph, NJ

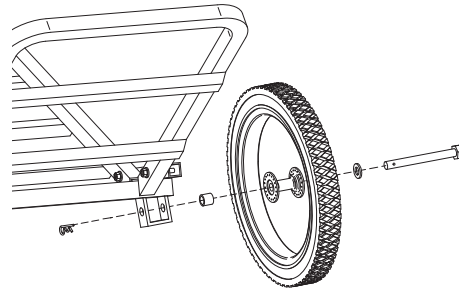
CUSTOMER SERVICE DEPARTMENT 1-866-972-6168

©2013 (rev. 05/13)

WWW.PRIMALVANTAGE.COM

- ④ Attach WHEELS to AXLE HOUSING. For each WHEEL, slide AXLE, (2) LARGE METAL WASHERS, and SPACER SLEEVE into AXLE HOUSING in the sequence shown in Figure 5 and secure with COTTER PIN.

Figure 5



- ⑤ Attach (1) TIE DOWN STRAP to BOTTOM FRAME, then attach (1) TIE DOWN STRAP to TOP FRAME as shown in Figure 6 and Figure 7.

Figure 6

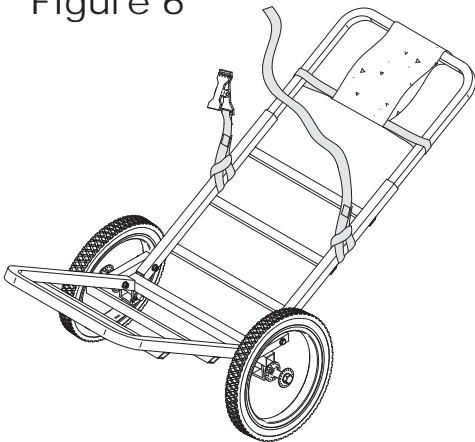
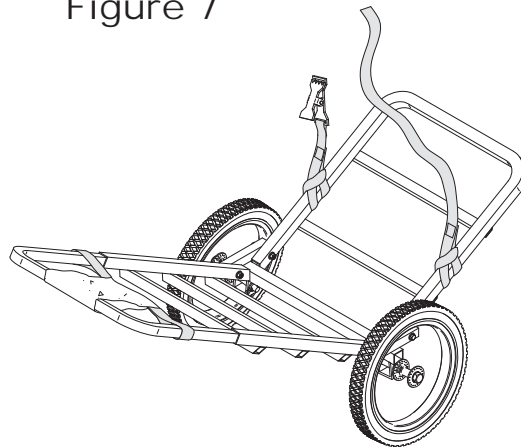


Figure 7



- ⑥ Attach BACK PACK STRAPS to BOTTOM FRAME (frame without adjustable handle) as shown in Figure 8 and Figure 9.

Use TIE DOWN STRAPS to secure loads to cart.

Figure 8

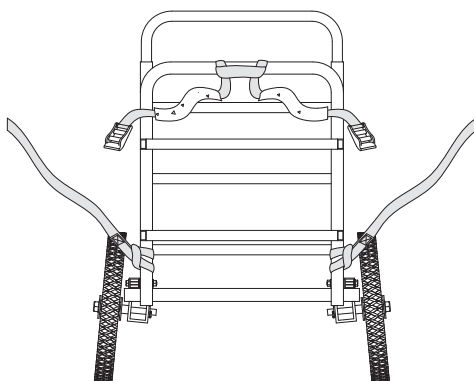
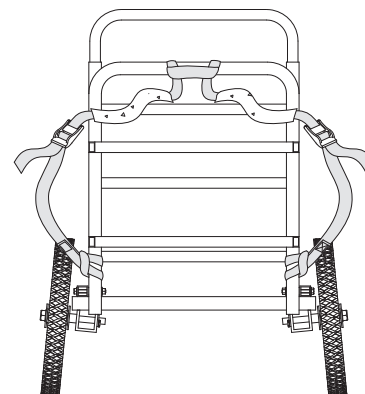
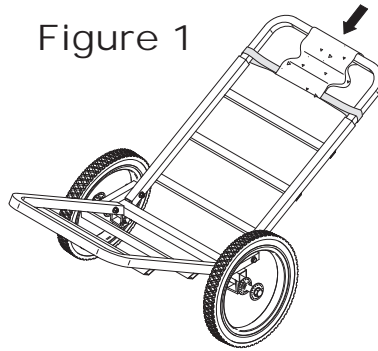


Figure 9



- 1 Depress LOCKING BUTTONS on TOP FRAME and push down on end of HANDLE as shown in Figure 1.

Figure 1



- 2 Detach WHEELS and put AXLE back through AXLE HOUSING as shown in Figure 2 and Figure 3.

Figure 2

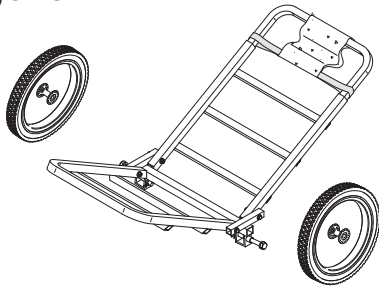
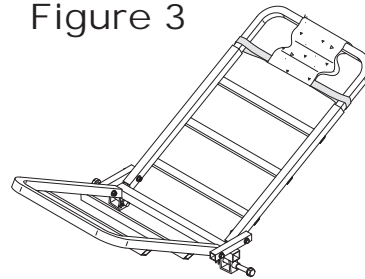


Figure 3



- 3 Stack wheels in between TOP and BOTTOM FRAME and tighten TIE DOWN STRAP around them as shown in Figure 4, then fold cart as shown in Figure 5.

Figure 4

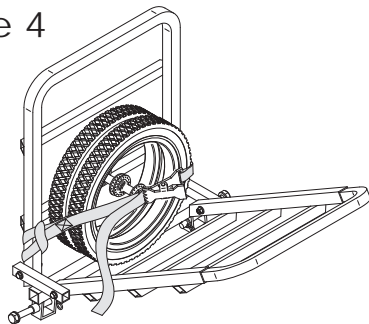
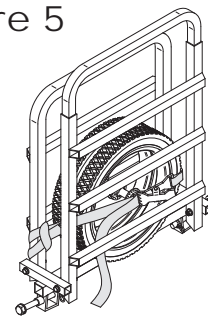


Figure 5



- 4 Use other TIE DOWN STRAP to go around both frames to hold cart together as shown in Figure 6. Your Non-Typical Deer Cart is now ready to either store or be backpacked.

Figure 6

