

VANTAGE POINT QUAD POD

MODEL: WMTS-5421

- Weight Limit 300 lbs.
- Do Not Over Tighten Fasteners

Instruction and Safety Manual



⚠ Warning

Every year serious injury and even death occurs from hunting related falls. To ensure your safety, please **COMPLETELY** read and follow this safety manual and **ALL** warning labels **BEFORE** assembling, installing or utilizing this product.

DO NOT USE THIS PRODUCT BEFORE FULLY UNDERSTANDING ALL SAFETY WARNINGS AND INSTRUCTIONS. IF YOU HAVE QUESTIONS, ARE UNSURE ABOUT ANY INFORMATION OR NEED ADDITIONAL INFORMATION CONCERNING YOUR PRODUCT, CONTACT OUR CUSTOMER SERVICE DEPARTMENT AT 1-866-972-6168 OR VISIT WWW.TREESTANDCUSTOMERSERVICE.COM. KEEP AND MAINTAIN THIS SAFETY AND INSTRUCTION MANUAL IN A SAFE LOCATION FOR FUTURE REFERENCE.

TREESTAND SAFETY WARNINGS

Please read the following instruction manual and warnings labels completely before utilizing this product. Failure to understand and execute the instructions and warnings may result in serious injury or death. In the event of an accident, have a plan for rescue, including the use of devices that may be easily reached while suspended.

ALWAYS read and understand all warnings and instructions and use all safety products provided before each use of this product. Failure to read and understand all warnings and instructions may result in serious injury or death. Contact a Customer Service Representative with any questions you may have.

NEVER exceed total weight limit of **300 lbs.** **DO NOT** use if your combined weight with all of your hunting gear and any accessories exceeds **300 lbs.** Use of tree stand over the weight limit may result in serious injury or death.

DO NOT use this tree stand while under the influence of alcohol, medication or any illegal substances. Use of tree stand while under the influence of any of these substances may result in serious injury or death.

NEVER use this treestand during inclement weather. **DO NOT** use tree stand during thunderstorms, snowstorms, hurricanes, tornadoes or any other weather conditions that include (but not limited to) lightning, icy conditions, or high winds that could create slippery or dangerous situations. End your hunt and return to the ground if inclement weather conditions arise.

NEVER use treestand if you are feeling ill, nauseous, dizzy or if you have a prior condition that could cause a problem. i.e., heart condition, joints that lock-up spinal fusions, etc., or if you are not well rested and alert. Physical ailments can reduce your ability to safely install, utilize, and remove your treestand. Please consult a physician prior to use.

NEVER use this tree stand if you have a history of health problems such as (but not limited to) heart problems, back problems, high blood pressure, impaired vision, equilibrium impairments, are afraid of heights, have been advised by a doctor or physician not to climb. If you are not physically fit, well rested, and alert, or if you have any other physical or mental condition that would impair your ability to properly use this treestand.

NEVER use this tree stand on a tree that is dead, leaning, diseased, loose barked or on a utility pole as the tree may fall, break, or uproot and may result in serious injury or death. **NEVER** rely on a branch for support.

NEVER jump or bounce on the treestand's platform or ladder sections to seat it to the tree. Instead, step firmly on the first rung of the bottom ladder section to set the ladder into the ground before proceeding to climb the ladder.

NEVER transport any of your equipment with yourself while ascending or descending the tree. You will need to have two hands free during ascending and descending for safety. Use a haul line to pull up your firearm (unloaded, chamber opened with safety lock engaged, barrel facing towards the ground), bows, arrows, knives or any other equipment to your tree stand once you have reached your desired hunting height. **ONLY** pull up hunting equipment after the tree stand has been secured to the tree and after you and your harness have been secured to the tree. Prior to descending, lower your equipment on the opposite side of the tree from which you are climbing. Make sure that the unloaded firearm's safety lock is engaged and the gun barrel is pointing towards the ground.

ALWAYS hunt with a plan and a buddy. Before you leave home, let others know your exact location, when you plan to return and who is with you.

ALWAYS carry emergency signal devices such as a cell phone, walkie-talkie, whistle, signal flare, PLD (personal location device) and flashlight with you at all times and within reach even while you are suspended in your harness. Watch for changing weather conditions. In the event of an accident, remain calm and seek help immediately.

ALWAYS inspect the tree stand and the **Fall Arrest System (FAS)** (Harness) for signs of wear or damage **BEFORE** each use. Also inspect to ensure that nuts and bolts are secure. Pay special attention to the harness and straps, guaranteeing that nothing has been frayed or severed. Destroy all products that cannot be repaired by the manufacturer. Contact a Customer Service Representative for replacement parts. The Fall Arrest System **MUST** be discarded and replaced after a fall has occurred.

DO NOT ATTACH YOUR FULL BODY HARNESS TO YOUR TREESTAND.

NEVER modify your treestand in any way by making repairs, replacing parts, or altering adding or attaching anything to it except if explicitly authorized in writing by the manufacturer. Improper installation or adjustment may cause serious injury or death. Remove all contents from box. Inspect for any damaged or missing parts. If any parts are missing or damaged, you must only use certified replacement parts. Using any other replacement parts will void product warranty. **THERE ARE NO EXTRA PARTS.** All parts **MUST** be used to ensure the safety of you and your stand. If you think parts are missing or damaged, **STOP IMMEDIATELY** and contact our Customer Service Department. Using the tree stand with missing or damaged parts may result in serious injury or death. **DO NOT** return this product to the retailer. Contact a Customer Service Representative if you have any missing, damaged or extra parts.

PRACTICE installing, adjusting and using your treestand at ground level prior to using it at an elevated position.

ALWAYS keep instructions (written and video) in a safe place and review before each use. It is the responsibility of the treestand owner to furnish the complete instructions to anyone who borrows or purchases the treestand from you. A safe treestand hunting video has been included. Please view it in its entirety prior to using this product.

NEVER use this treestand for any use other than hunting. Our treestands are designed for hunter's to wear a Full Body Harness. If you are not completely comfortable and confident with your ability to safely install, ascend, hunt and descend using a Full Body Safety Harness and this treestand, **DO NOT PROCEED.**

NEVER use this treestand for trimming trees.

NEVER fall asleep in your stand as you may fall out resulting in serious injury or death.

ALWAYS be sure to retighten all bolts **BEFORE** each new use of treestand.

ALWAYS have a minimum of three people present when installing or removing this treestand.

TREESTAND SAFETY WARNINGS

NEVER adjust your stand while in use. Practice the attachment of this treestand at ground level before using in a hunting environment. **ALWAYS** ensure that you and your treestand are safely secured to a healthy tree. Your tree stand **MUST** be attached tightly to the tree and secured in place. If the stand is not secure, it may shift while in use, resulting in serious injury or death.

The Installation Cross Straps and Stabilizer Bar(s) **MUST** be properly installed before each use of the treestand.

ALWAYS inspect every ladder section connection every time you use the stand before you leave the ground. If ladder sections are separating, with the help of at least two other people, lower the stand to the ground, make adjustments, and reinstall.

ALWAYS check the ground below the tree stand to make sure it is firm and level. Sloping ground or uneven terrain (one side of a rock or root) can cause your tree stand to tilt or shift.

ALWAYS maintain three points of contact when climbing the tree stand. (Two feet and one hand **or** one foot and two hands.)

ALWAYS lean forward as you climb and attach your harness to the tree before securing the platform to the tree and stepping onto the platform.

DO NOT leave your treestand outside since weather or animals may cause damage. Tree growth can also cause stress and damage straps and buckles. It must be stored inside when not in use.

NEVER wear jewelry or loose fitting clothing, which can cause hazardous conditions. Clothing may be caught in your equipment and cause you to fall. You must always wear non-slip or rubber boots. Shoelaces must be tucked into your boots. Rings and necklaces **MUST NOT** be worn.

NEVER use this treestand with a second person. The treestand is designed for use by **ONE** person.

NEVER let children play with or use this treestand without adult supervision. This treestand is not a toy. No one under the age of 18 should attempt to use this product without direct adult supervision.

DO NOT use tree stand if any nuts or bolts or parts are loose, bent, or crooked.

ALWAYS know your physical limitations. Don't take chances. If you start thinking about how high you are, don't go any higher. Instead, choose a minimum height that will allow for safe, effective and comfortable hunting.

ALWAYS lean **forward towards the tree** as you climb and attach your harness to the tree **BEFORE** securing the platform to the tree and stepping onto the platform. **NEVER** lean out from the treestand for any reason.

ALWAYS wear a Fall Arrest System (FAS) (Harness) consisting of a full body safety harness after leaving the ground. A TMA Certified Full Body Harness **MUST** always be connected to yourself and the tree during ascending, hunting and descending. Single safety belts and chest harnesses are no longer allowed and should **NEVER** be used. If you are not wearing a Full Body Harness properly attached to the tree, that is protecting you from a fall, **DO NOT leave the ground**. Failure to wear your Full Body Harness may result in serious injury or death.

Be aware that falls can occur at anytime after leaving the ground.

ALWAYS read and understand the manufacturer's Warnings, expiration date (if applicable) and instructions on how to use and how to properly adjust the harness. Practice the use of a full body safety harness at ground level in the presence of a responsible adult to experience the feeling of hanging suspended before using in a hunting environment. Failure to follow harness instructions may result in not being able to return to the stand and being suspended in a harness after a fall, or serious injury or possibly death. If the hunting location is unknown by anyone and communication efforts are unsuccessful, you **MUST** have a personal plan for rescue/escape because prolonged suspension in a harness may be fatal. It is important to exercise the legs by pushing against the tree or doing other forms of continuous leg exercises to avoid blood pooling while being suspended. Hunters with varying degrees of physical fitness may require different plans to recover/escape the effects of prolonged suspension. Have a personal plan and practice it in the presence of a responsible adult before leaving the ground. No one escape/rescue plan will work for every hunter on every tree in every circumstance. Only you can determine the best recovery/escape plan for your situation before leaving the ground.

ALWAYS have a suspension relief device on your person and readily accessible while using a harness. These devices allow the user to relieve the load on the lower extremities if suspended in a harness and help maintain circulation in the legs, mitigate suspension trauma (blood pooling) or allow descent to the ground. Several optional products/systems are available that offer self-recovery or self-extraction from a fall when suspended in a harness. Some systems automatically descend the user while others allow user control. One of these products/systems can be considered for use as an additional safety precaution against prolonged suspension and suspension trauma, Be sure to follow the manufacturers' instructions on the safe use of these products/systems.

Hunt from the ground when self-recovery escape is absent. There is time to make a correct decision on what action to take if a fall occurs while wearing a full body harness. It is important to remember **"DO NOT PANIC."** Remain calm and implement your practiced rescue, relief and recovery plan.

NEVER allow the tether strap to get under your chin or around our neck. The length of the harness tether **MUST** be minimized at all times. It should be adjusted so that it is above the head with no slack (snug) in the sitting position and you should have the minimum amount of slack possible when climbing.

WARNING

DO NOT use this ladderstand without reading and following all warnings and instructions before each use. Failure to do so may result in serious injury or death.

ALWAYS inspect your ladderstand before each use. **DO NOT** use if parts are missing, worn, or damaged.

ALWAYS wear a Full Body Harness while using this stand. Failure to wear a full body harness while using this ladderstand may result in serious injury or death.

DO NOT exceed the ladderstand's 300 lbs. weight which includes your body weight as well as the weight of clothes and gear. Exceeding the ladderstand's weight limit may cause the treestand to break or fail resulting in serious injury or death.

NEVER stand on treestand seat or any other part of these parts may cause the treestand to break or fail resulting in serious injury or death.

NEVER alter, modify, or remove any part of the ladderstand. This may result in serious injury or death and will void all warranties.

NEVER use the treestand on a tree that is diseased, leaning, or on wet, uneven ground. The tree may fall, break, or root anchor may result in serious injury or death.

NEVER use ladderstand during inclement weather. **DO NOT** use treestand during thunderstorms or any other weather conditions including (but not limited to) lightning, freezing rain, high wind that could create slippery or dangerous conditions.

DO NOT use ladderstand under the influence of alcohol, drugs, or medication. Using ladderstand under the influence of alcohol, drugs, or medication may result in serious injury or death.

DO NOT use ladderstand if you have dizzy spells, a heart problem, are afraid of heights, have been advised by a doctor or other health care provider not to climb, or have any condition that would impair your ability to climb up or down or use treestand as it could result in serious injury or death. **NEVER** remove or deface ladderstand warning labels. Replacement labels can be obtained from the address below.

NEVER remove any safety warning stickers from this product.

Safety must be your first priority during the use of this product.

2012 (rev. 12/11)

CHOOSING A SAFE TREE

- **ALWAYS** thoroughly inspect the tree before installing your product. **DO NOT** install your **TREE/LADDER STAND** onto any dead or unsafe tree, telephone or utility pole, structural column, or man-made structure. Doing so may result in serious injury or death.
- **ALWAYS** select the proper tree for use with your **TREE/LADDER STAND**. Select a live straight tree that fits within size limits recommended (minimum tree diameter must be no less than 9 inches and maximum of 18 inches.). **DO NOT** rely on a branch for support.
- **DO NOT** select a tree in the dark or choose a tree in close proximity to a fence. You must not have any stumps or rocks beneath your tree.
- **NEVER** use **TREE/LADDER STAND** on a tree that is dead, diseased, leaning or on wet and uneven ground as the tree may fall, break or uproot.
- Your tree must not be wet, icy or slippery or on wet, swampy, or loose ground that allows the tree to be unstable. Check the ground under **TREE/LADDER STAND** to ensure it is firm and level.
- Be sure you have a level stand platform. Your tree must not lean or have any irregular shape.
- Tree must not have any loose or scaly bark or excessive vines, nails, screws, or any other sharp objects protruding that may sever webbing on product. Any surrounding trees must not lean or have dead limbs that may fall onto you or your product.
- **NEVER HURRY!! HURRYING CAUSES ACCIDENTS!!** While climbing a **TREE/LADDER STAND**, make slow, even movements no more than ten to twelve inches at a time. Make sure you have proper contact with tree and/or **TREE/LADDER STAND** every time you move. On ladder tree stand, **ALWAYS** maintain three points of contact with each step and **ALWAYS** lean forward as you climb.

Several treestands are equipped with a footrest, armrests and/or shooting rail. Neither the footrest, armrests nor the shooting rail have been designed to support a user's weight. Under **NO** circumstances should you place more than fifteen (15) pounds of weight on these structures. Doing so will put the user in serious risk of injury or death.

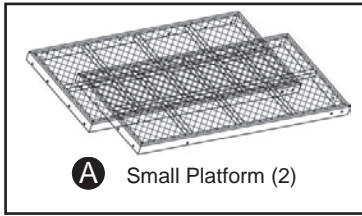
PROPER CARE AND MAINTENANCE:

- Inspect for defects (damage, rot, corrosion, cracks, freezing, excessive heat, etc.) before every use is required. Do not use if damage is detected or suspected.
- We recommend replacing all hardware/cables/nuts/bolts/clips on your tree stand every two (2) years or sooner if inspection finds it necessary. Use only Primal Vantage approved replacement straps and parts. Use of any other straps or parts, will be viewed as a modification to the product. Any modification will void the warranties and relieve Primal Vantage from all liabilities. Failure to follow these instructions may result in serious injury or death.
- By registering your product, you may be enrolled in our discount program. You may receive a 20% off coupon for our website store, www.primal-store.com to purchase replacement parts in the future.
- **DO NOT** overtighten the hardware. **DO NOT** use a socket wrench. This can lead to structural damage and may negatively affect the performance of your stand. Failure to follow these instructions may result in serious injury or death.

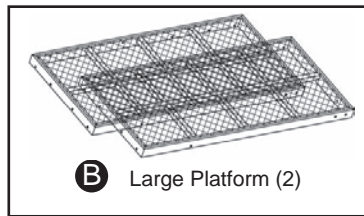
VANTAGE POINT QUAD POD

MODEL: WMTS-5421

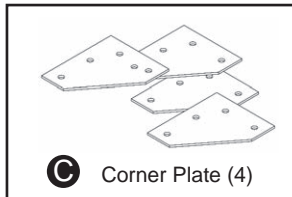
- Weight Limit 300 lbs.
- Do Not Over Tighten Fasteners



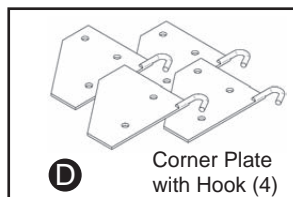
A Small Platform (2)



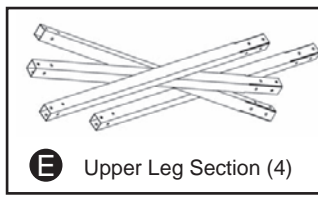
B Large Platform (2)



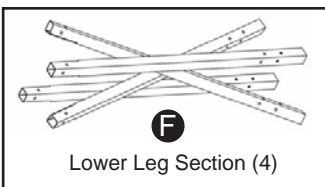
C Corner Plate (4)



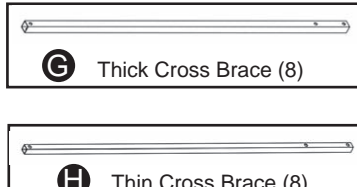
D Corner Plate with Hook (4)



E Upper Leg Section (4)



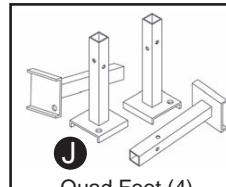
F Lower Leg Section (4)



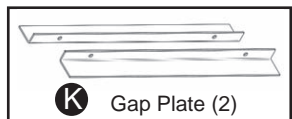
G Thick Cross Brace (8)



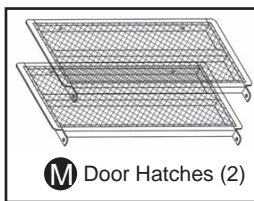
H Thin Cross Brace (8)



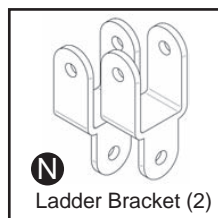
J Quad Foot (4)



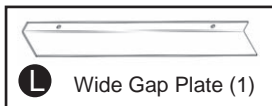
K Gap Plate (2)



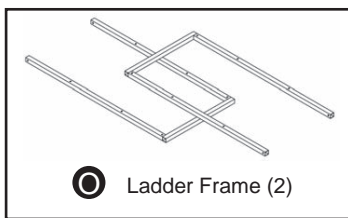
M Door Hatches (2)



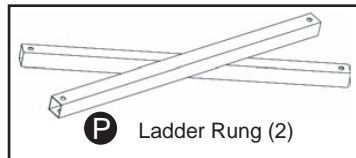
N Ladder Bracket (2)



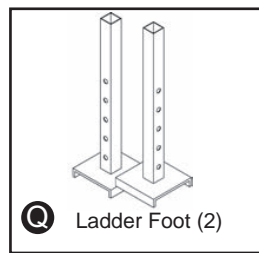
L Wide Gap Plate (1)



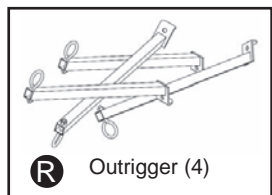
O Ladder Frame (2)



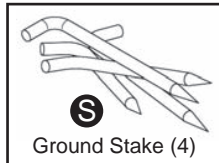
P Ladder Rung (2)



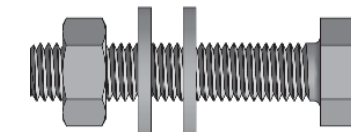
Q Ladder Foot (2)



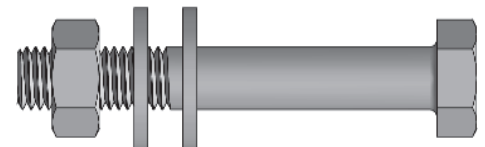
R Outrigger (4)



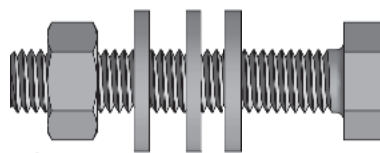
S Ground Stake (4)



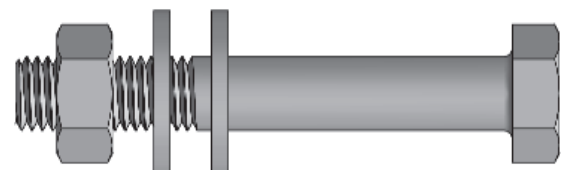
40 28 - M12x40mm Bolt
(2 Washers, 1 Lock-Nut)



65 8 - M12x65mm Bolt
(2 Washers, 1 Lock-Nut)



48 4 - M12x45mm Bolt
(3 Washers, 1 Lock-Nut)



70 16 - M12x70mm Bolt
(2 Washers, 1 Lock-Nut)

Tools Required

Adjustable Wrench

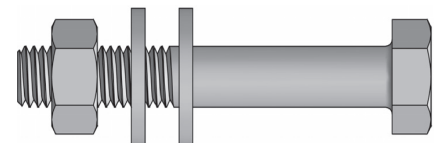


Parts List

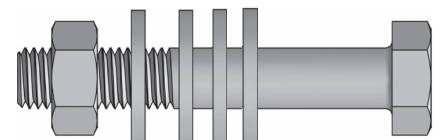
A	2	Small Platform	Part # WSP-5421
B	2	Large Platform	Part # WLP-5421
C	4	Corner Plate	Part # WCP-5421
D	4	Corner Plate with Hook	Part # CPH-5421
E	4	Upper Leg Section	Part # WUL-5421
F	4	Lower Leg Section	Part # WLL-5421
G	8	Thick Cross Brace	Part # CBK-5421
H	8	Thin Cross Brace	Part # CBN-5421
J	4	Quad Foot	Part # WQF-5421
K	2	Gap Plate	Part # WGP-542
L	1	Wide Gap Plate	Part # GP-5421
M	2	Door Hatch	Part # WDH-5421
N	2	Ladder Bracket	Part # WLB-5421
O	2	Ladder Frame	Part # WLF-5421
P	2	Ladder Rung	Part # WLR-5421
Q	2	Ladder Foot	Part # VLF-5421
R	4	Outrigger	Part # WOR-5421
S	4	Ground Stake	Part # WAP-500

Hardware

70	16	M12x70mm Bolt	Part # 1270
65	8	M12x65mm Bolt	Part # 1265
59	2	M12x55mm Bolt w/ 4 washers	Part # 1259
55	52	M12x55mm Bolt	Part # 1255
48	4	M12x45mm Bolt w/3 washers	Part # 1248
40	28	M12x40mm Bolt	Part # 1240

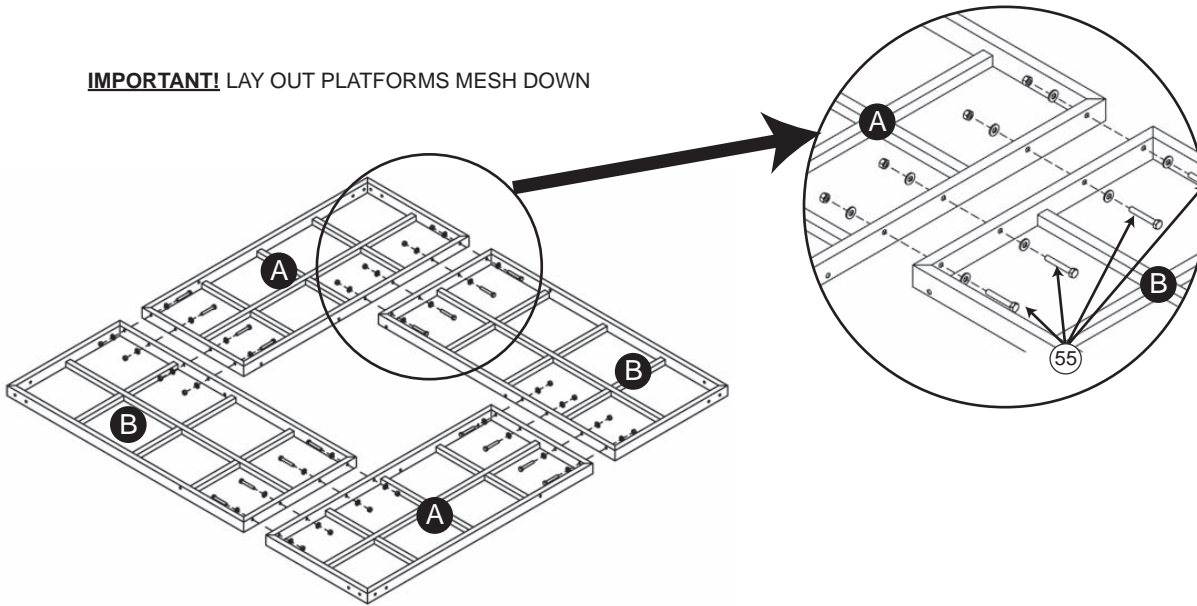


55 52 - M12x55mm Bolt
(2 Washers, 1 Lock-Nut)

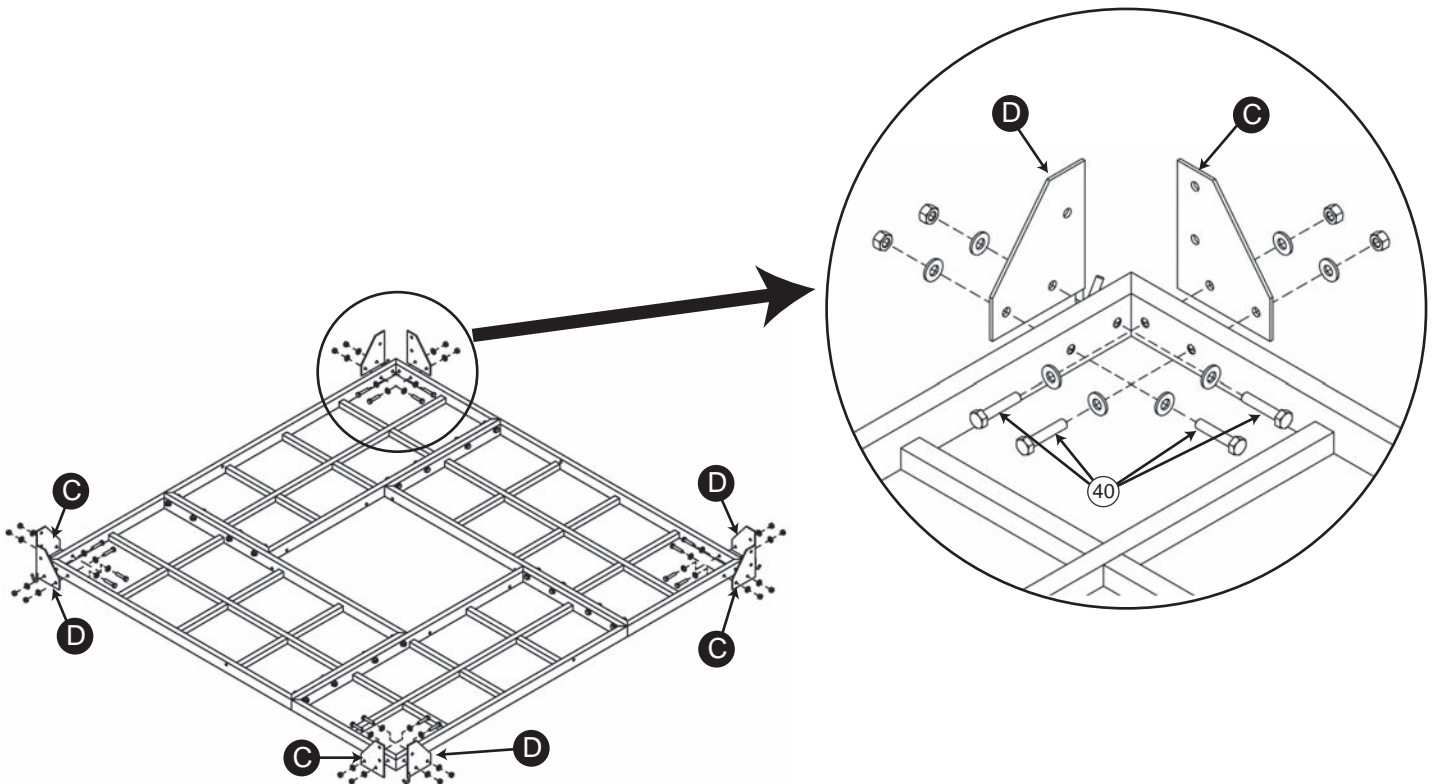


59 2 - M12x55mm Bolt
(4 Washers, 1 Lock-Nut)

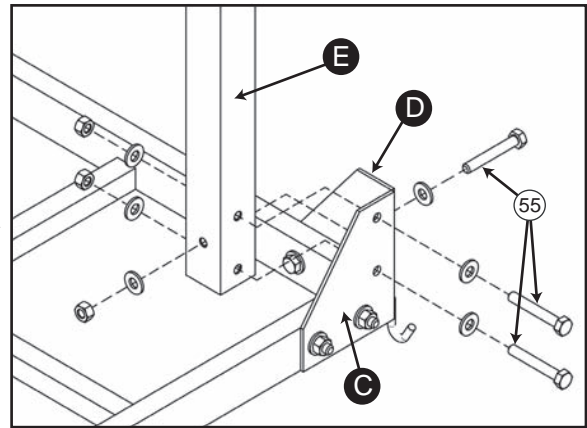
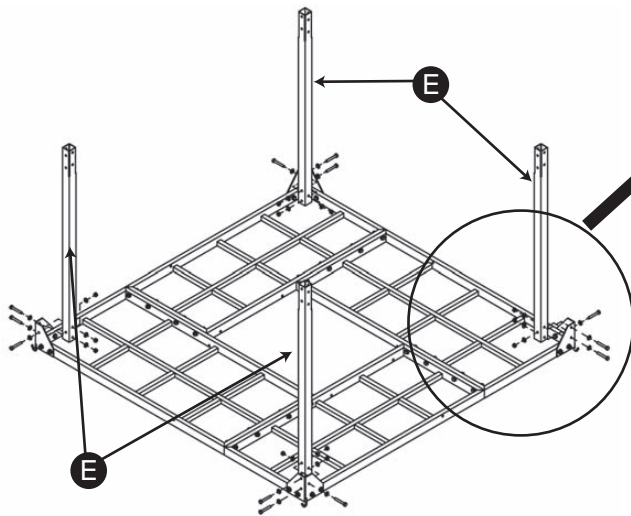
IMPORTANT! LAY OUT PLATFORMS MESH DOWN



1. Lay out Small Platform Sections **A** and Large Platform Sections **B** (**MESH DOWN**), opposite from each other. Line up the 4 connection holes where each Platform Section meets and secure each hole with **M12x55mm Bolts**, 4 per connection point (**16 total**).

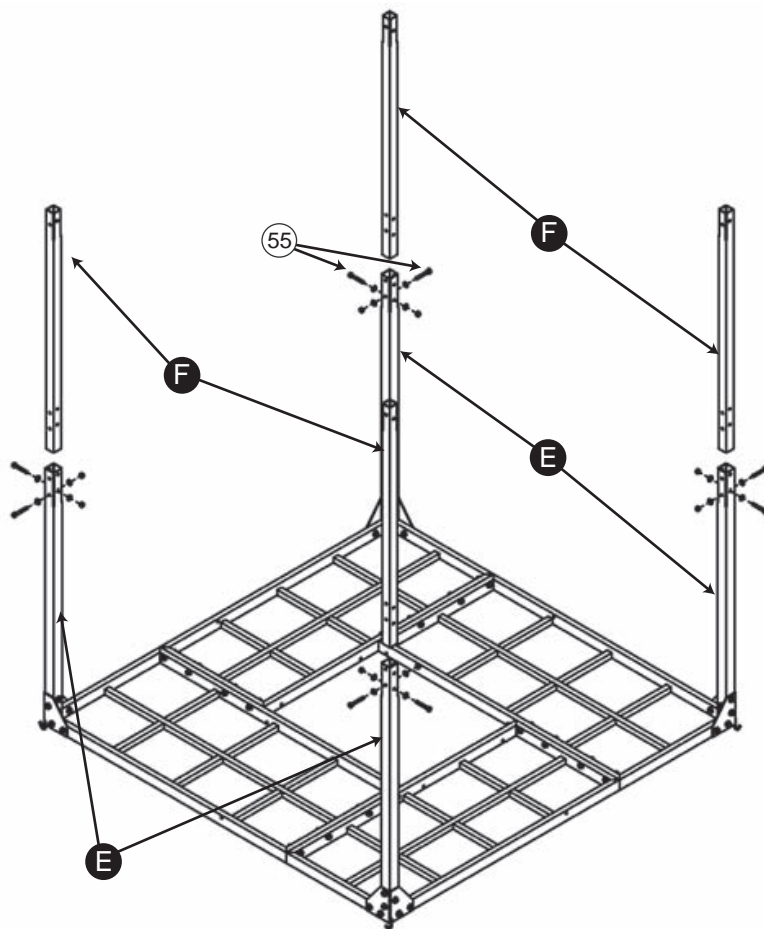


2. Each corner of the assembled platform will get 2 Corner Plates, one with hook, one without. Mount Corner Plate **C** to each corner of the platform. **Make sure that the long edges meet at the corners.** Mount Corner Plate with Hook **D** to each corner of the platform. **Make sure that the long edges meets up against Corner Plate C.** The hook will be pointing out away from the platform. The hooks will be used to help secure a blind atop of Quad Pod. Attach every Corner Plate using **2-M12x40mm Bolts (16 Total)**.

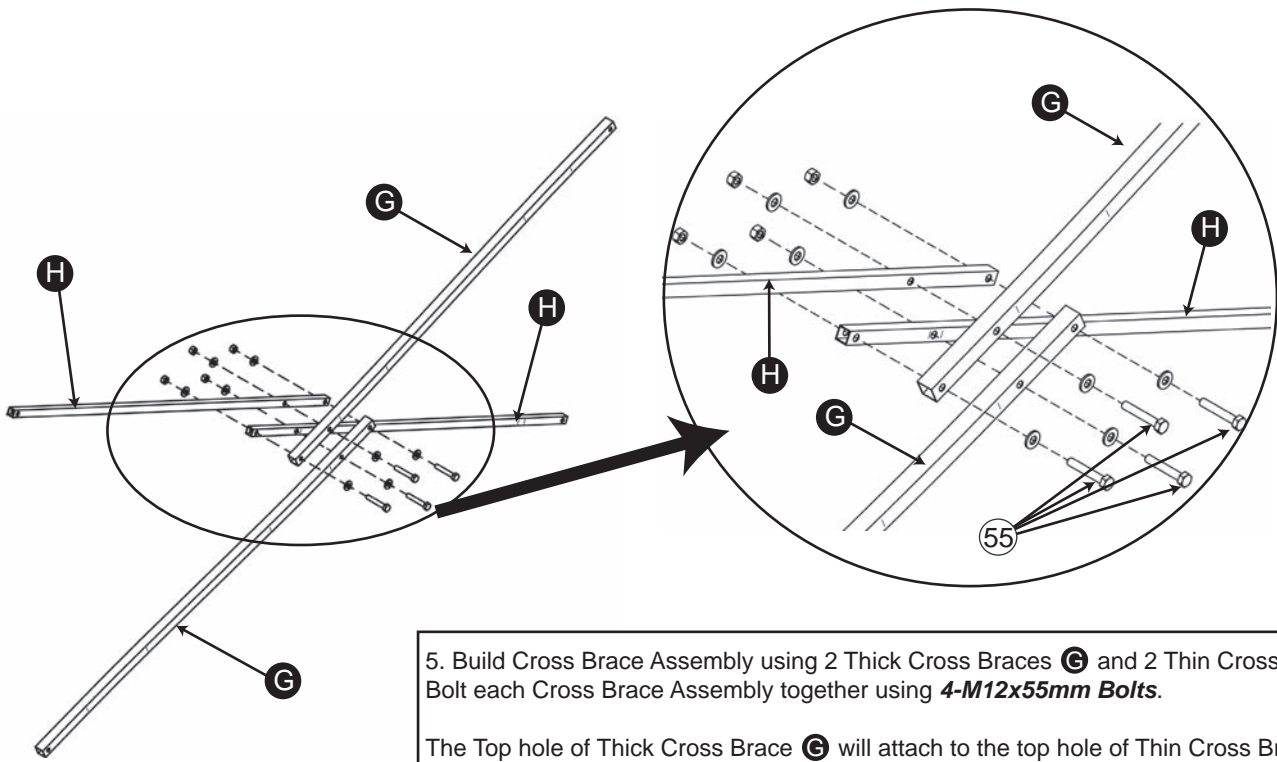


3. The bottom of each leg has slits cut in three corners. Make sure the **UN-CUT CORNER** is facing **OUTSIDE** the platform.

Attach Upper Leg **E** to Corner Plates **C** and **D** using **3-M12x55mm Bolts**. Tighten Completely.

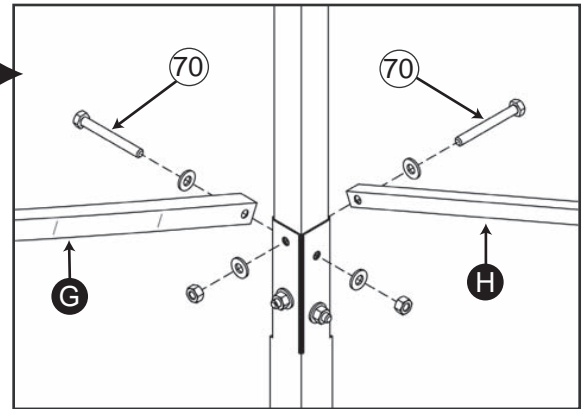
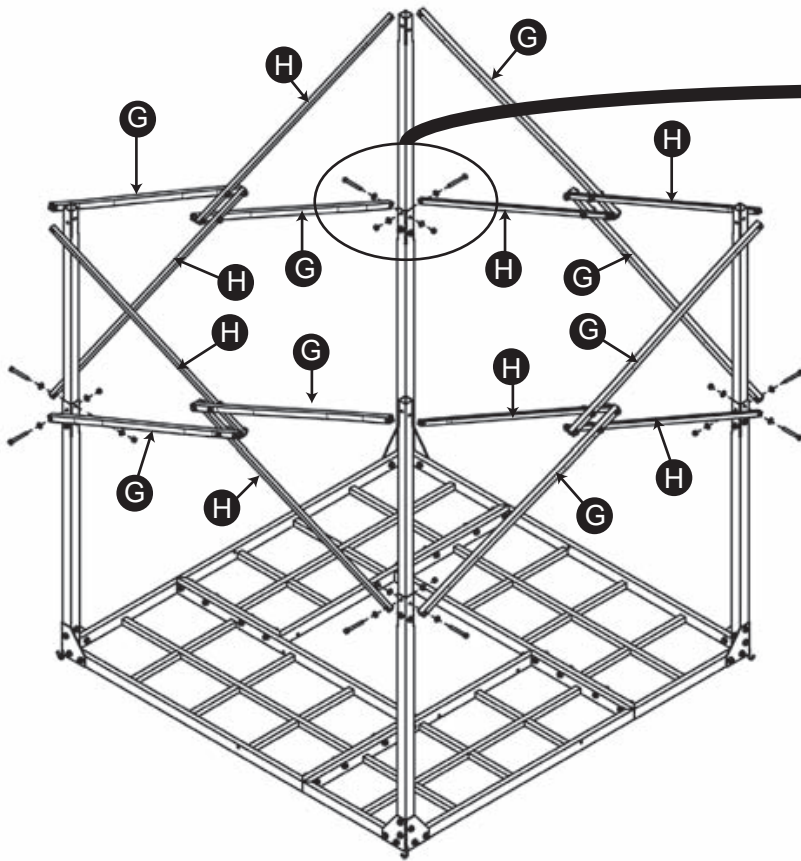


4. Attach Lower Legs **F** to Upper Legs **E** using **2-M12x55mm Bolts** for each leg, **(8 Total)**. Only run through Upper Holes. Leave Two Lower Holes Open until **CROSS BRACES** are installed **(Step 5)**. **DO NOT TIGHTEN BOLTS COMPLETELY YET.**

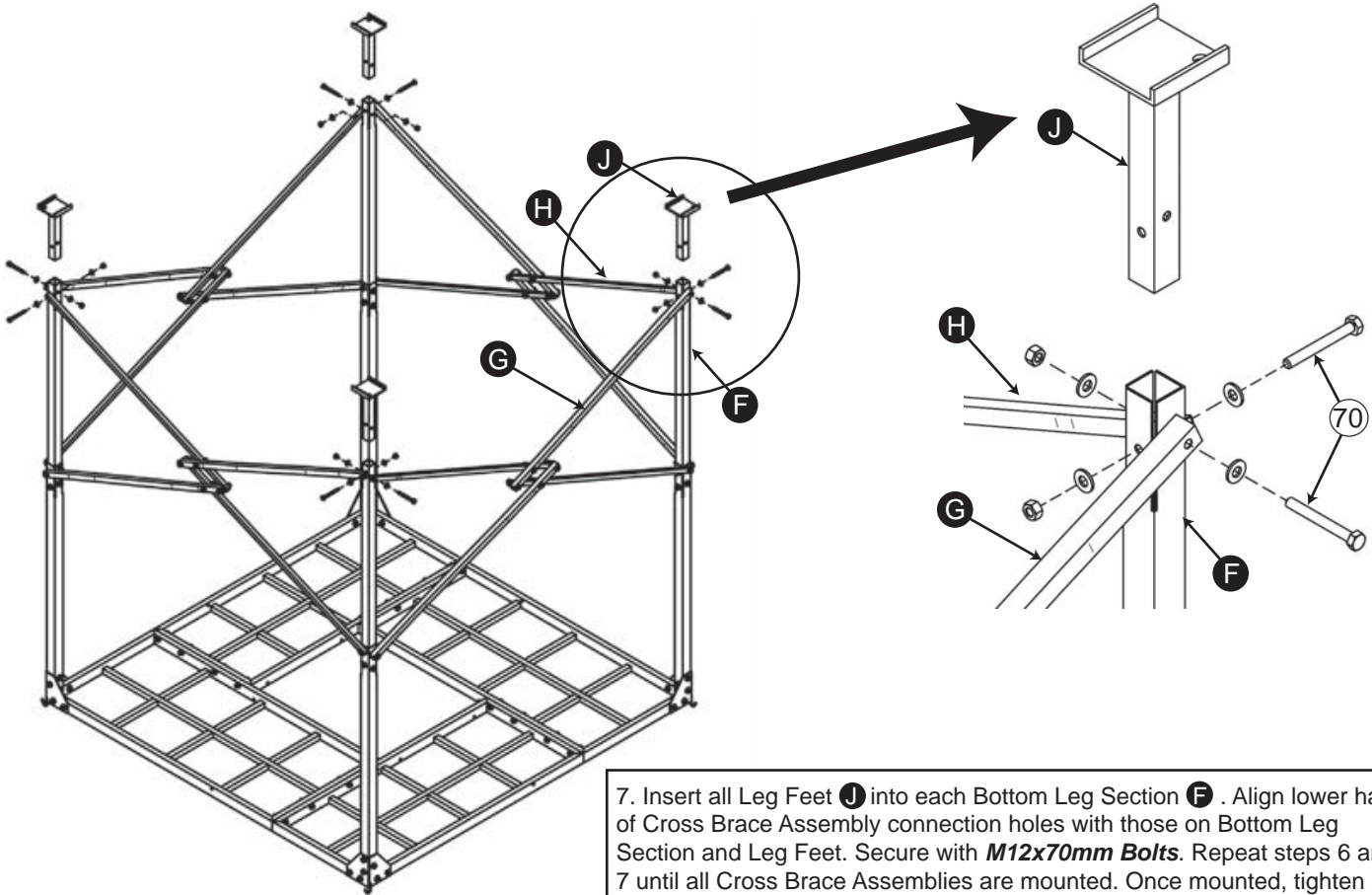


5. Build Cross Brace Assembly using 2 Thick Cross Braces **G** and 2 Thin Cross Braces **H**. Bolt each Cross Brace Assembly together using **4-M12x55mm Bolts**.

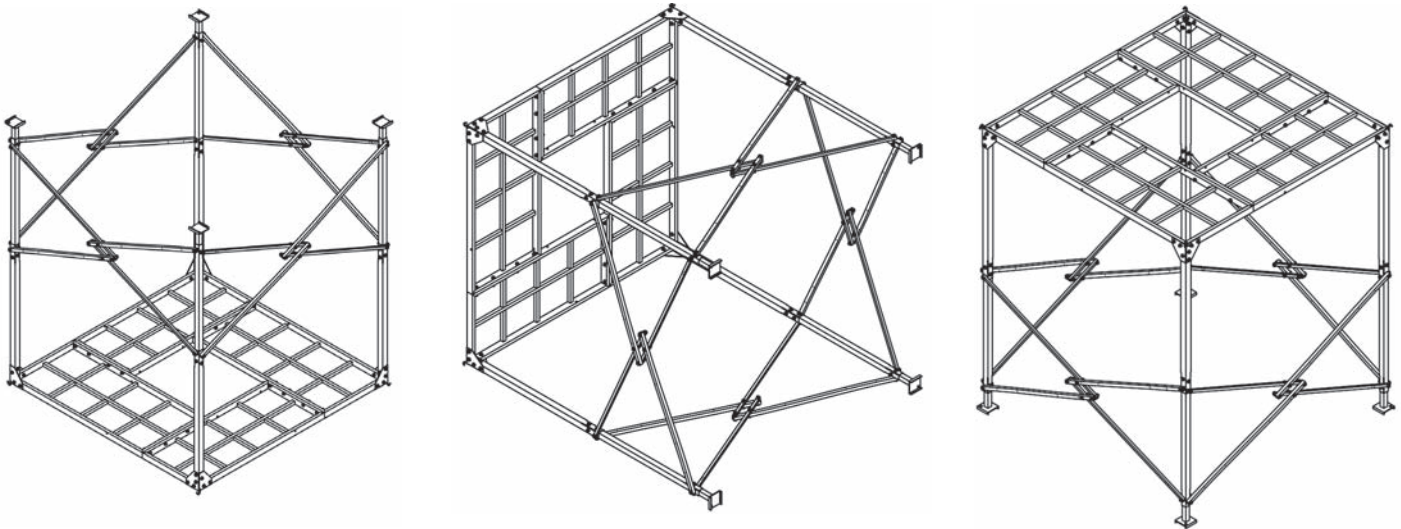
The Top hole of Thick Cross Brace **G** will attach to the top hole of Thin Cross Brace **H**. The Bottom hole of Thick Cross Brace **G** will attach to the bottom hole of Thin Cross Brace **H**. Repeat process until all (4) Cross Brace Assemblies are completed.



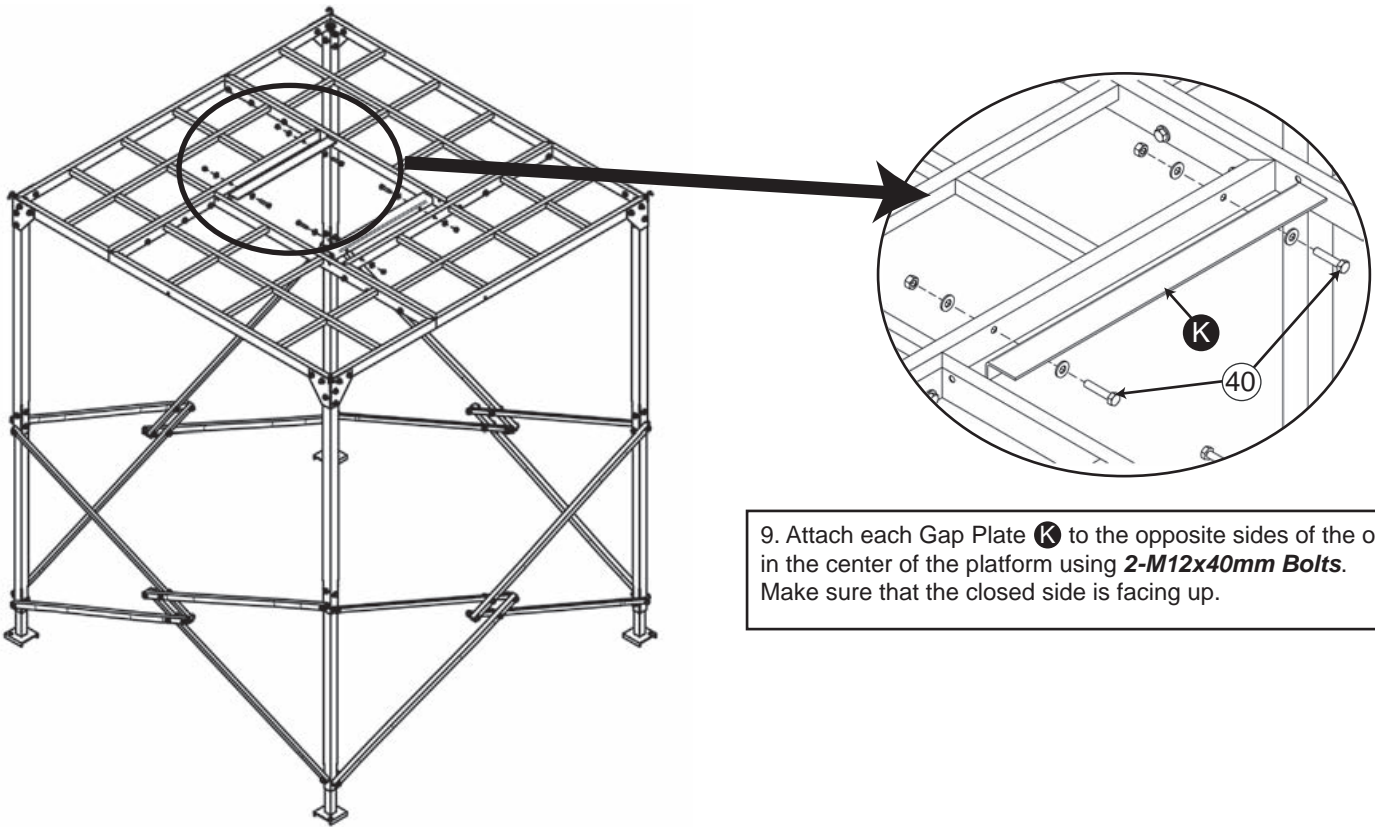
6. Mount Cross Brace Assemblies to Legs using **M12x70mm Bolts**. For Steps 6 and 7, each assembly will be mounted with **4-M12x70mm Bolts (16 Total)**. **Study the diagram carefully.** Mount Cross Brace Assembly to Upper/Lower Leg connection point first. **DO NOT TIGHTEN BOLTS YET. DO NOT BOLT LOWER HALF OF CROSS BRACE ASSEMBLY** on yet either.



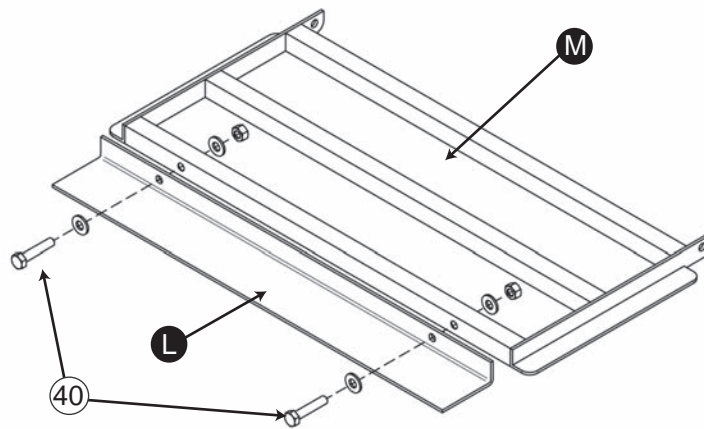
7. Insert all Leg Feet **J** into each Bottom Leg Section **F**. Align lower half of Cross Brace Assembly connection holes with those on Bottom Leg Section and Leg Feet. Secure with **M12x70mm Bolts**. Repeat steps 6 and 7 until all Cross Brace Assemblies are mounted. Once mounted, tighten all bolts on Legs and Braces.



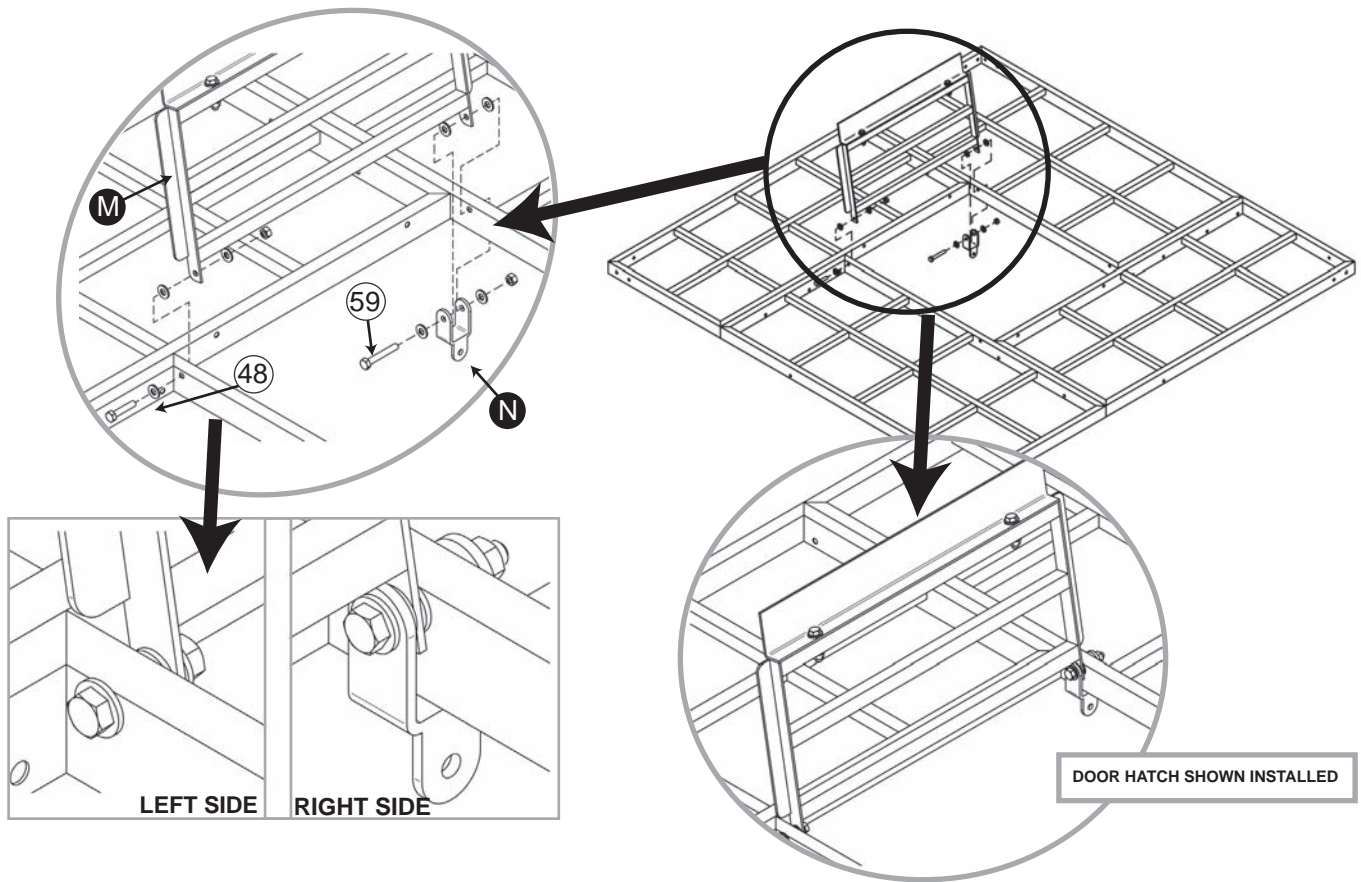
8. With the help of at least two other people, flip the Quad Pod so it is upright on it's feet.



9. Attach each Gap Plate **K** to the opposite sides of the opening in the center of the platform using **2-M12x40mm Bolts**. Make sure that the closed side is facing up.

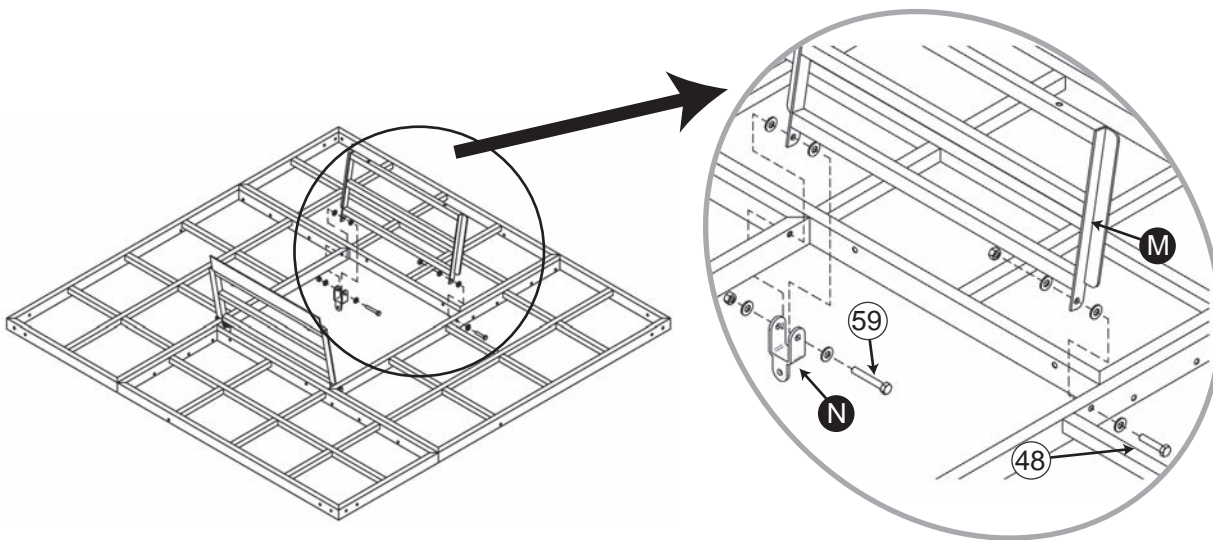


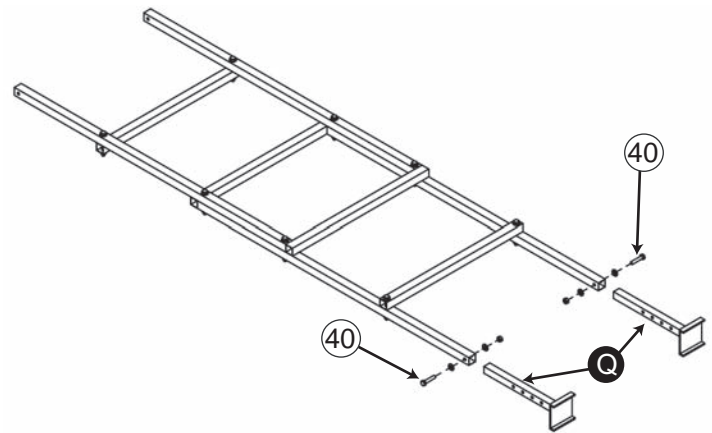
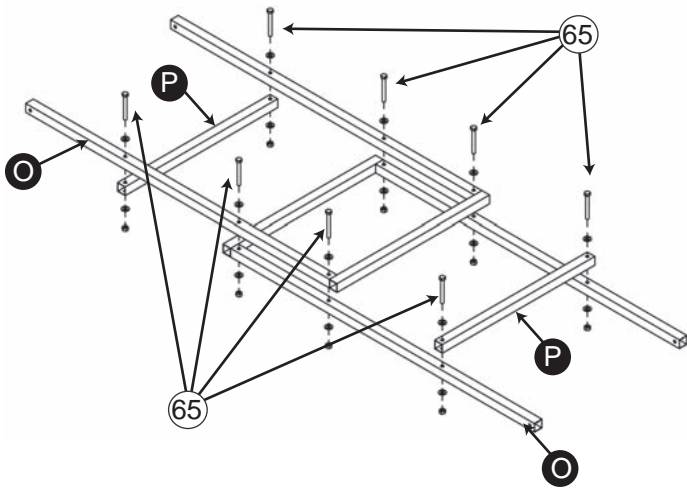
10. Attach Wide Gap Plate **L** to one of the Door Hatches **M** using **2-M12x40mm Bolts**.



11. Mount each Door Hatch **M** to the platform, one at a time. Use **1-M12x45mm Bolt w/3 washers** on one side. Use **1-M12x55mm Bolt w/ 4 washers** to mount one Ladder Bracket **N** to the Door Hatch **M** and Platform.

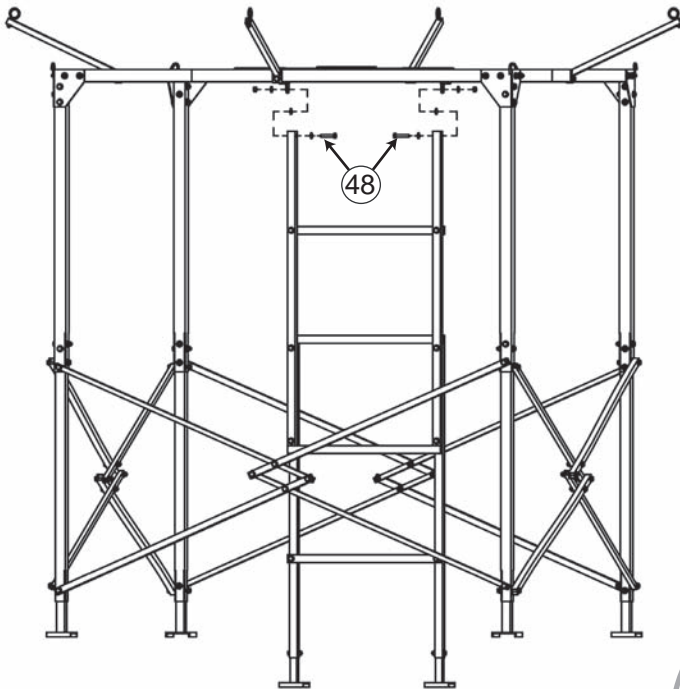
Repeat process with other Door Hatch **M** and Ladder Bracket **N** . Make sure that the Ladder Brackets are on the same side of hatch and mounted properly.



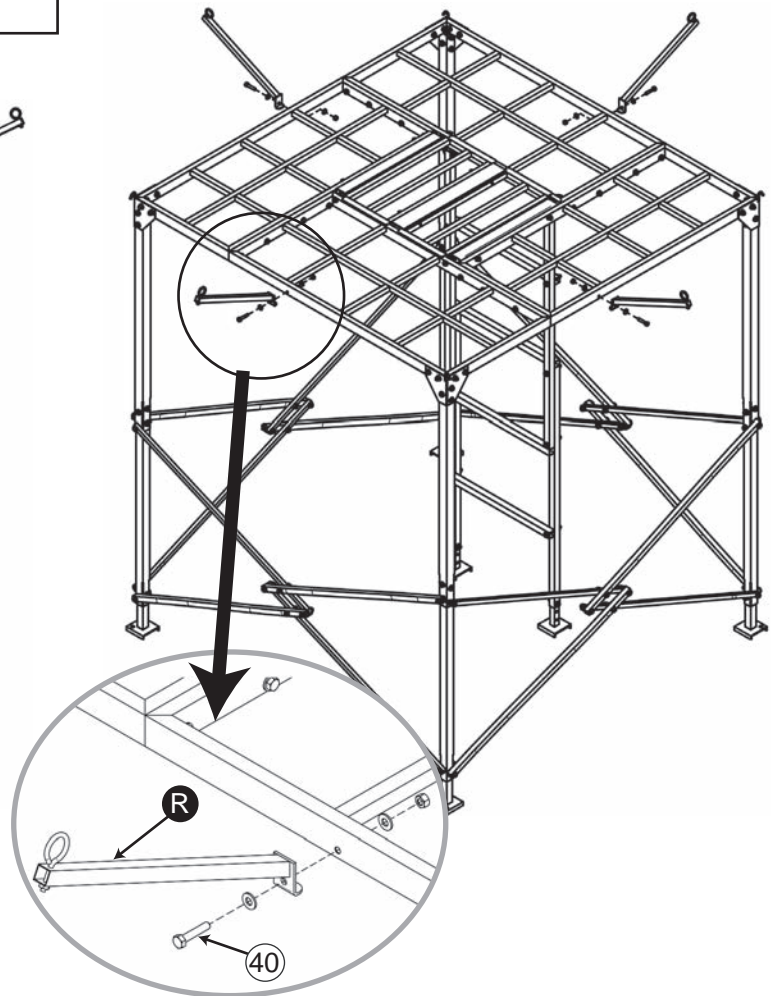


12. Build Ladder by connecting both Ladder Frames **O** together using **2-M12x65mm Bolts**. Attach one Ladder Rung **P** to top of Ladder Section using **2-M12x65mm Bolts**. Attach other Ladder Rung **P** to bottom of Ladder Section using **2-M12x65mm Bolts**.

13. Insert Ladder Feet **Q** into the Bottom of Ladder Section use **1-M12x40mm Bolt** on each side to secure.



14. Attach assembled Ladder Section to Ladder Brackets **N** using **1-M12x45mm Bolts** with three washers.



15. Attach each Outrigger **R** to Platform using **1-M12x40mm Bolt**.

IMPORTANT! QUAD POD is designed to use blinds with a **FOOTPRINT** of **60" square ONLY**

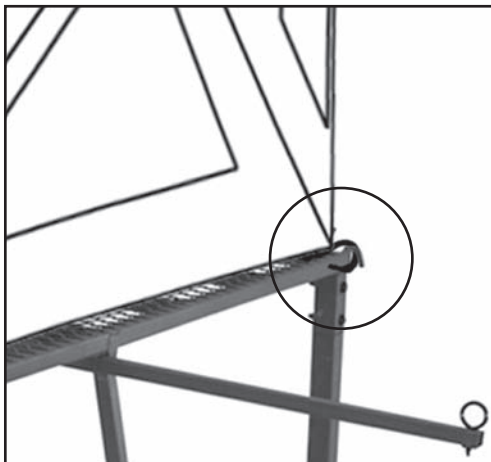


IMPORTANT! It is recommended that **LADDER FEET** be adjusted to compensate for uneven ground underneath QUAD POD and should be at a slight angle to ease entry and exit from the platform. Adjustments may need to be made once QUAD POD is set up in the field.

15. Insert Ground Stakes **S** through the holes on each Quad Foot **J**. Step firmly or hammer into ground, so that they are securely holding the Quad Pod to the ground.

IMPORTANT! ALWAYS watch your footing when bringing blind up and down from the platform

CAUTION! Check ground underneath stand to ensure it is firm and level. **NEVER** on the side of a hill or any area that will create a sloping angle on platform. This could result in platform tipping over while in use. If you are setting up QUAD POD on slightly uneven ground, be sure to level out ground underneath feet of the QUAD POD so all feet are firmly planted and platform is as close to level as possible. **SERIOUS INJURY** or **DEATH** may occur if used on uneven terrain.



Once you have your blind fully erected on Platform, make sure **ALL FOUR CORNERS OF BLIND** are square with hooks on **OUTSIDE** each corner on QUAD POD (**See Above**)



HUB BLINDS: Have loops on each HUB RING. Use a ladder to connect rope from each hub to rings on end of each OUTRIGGER. Secure these **IN ADDITION TO** loops on hooks on each corner edge of Platform to hold blind securely to Platform.

IMPORTANT! Once blind is opened, be sure blind door **FACES** ladder.

CAUTION! - By attaching any blind to an elevated platform you are increasing the risk of wind. Make sure blind and elevated platform is installed completely, with all stakes and tie-downs installed.