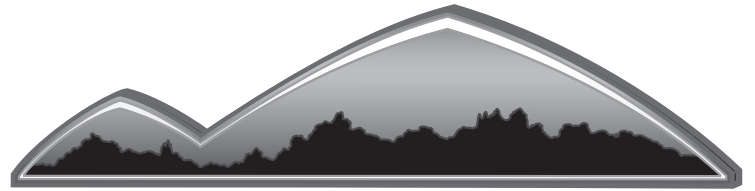


# SHOOTING RAIL WITH SKIRT

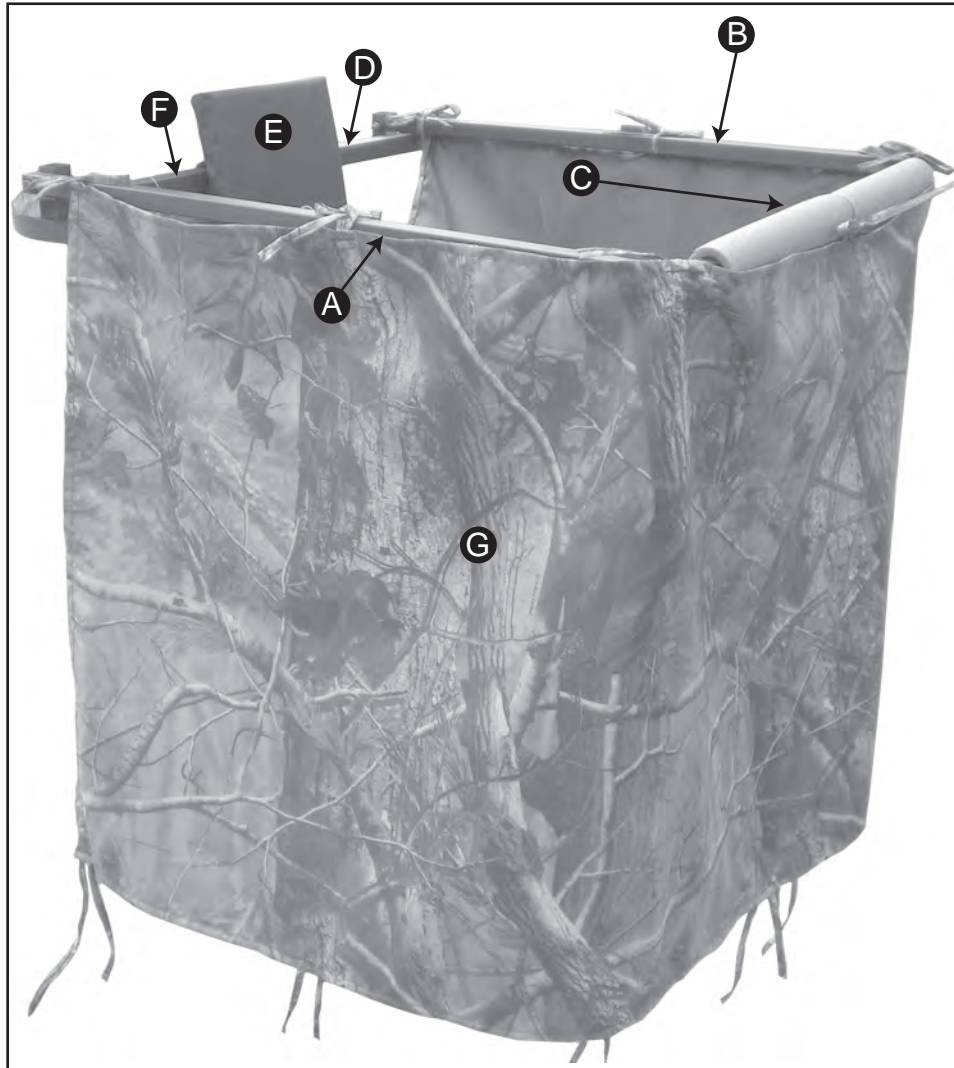
MODEL: HEH00547

- Always Wear a Safety Harness with this Product
- Tree Size: 9"-18" diameter



*Instruction and Safety Manual*

## COMFORT ZONE



**THANK YOU!** for purchasing the Shooting Rail with Skirt by Primal Vantage

### **⚠ WARNING**

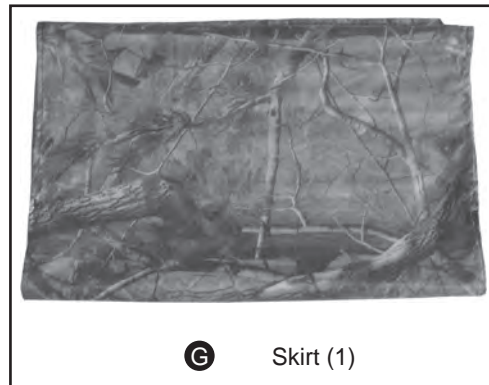
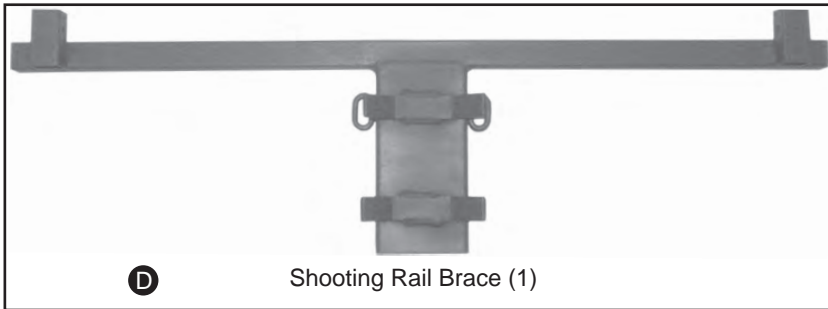
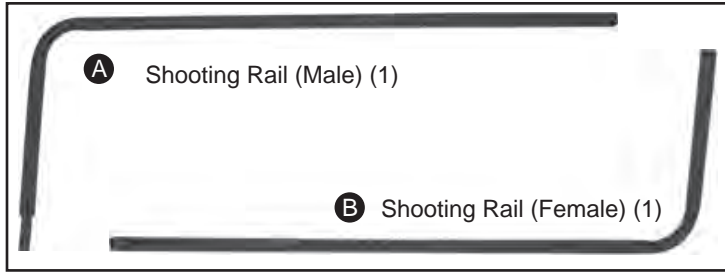
**Every year serious injury and even death occurs from hunting related falls.** To ensure your safety, please **COMPLETELY** read and follow this safety manual and ALL warning labels **BEFORE** assembling, installing or utilizing this product.

DO NOT USE THIS PRODUCT BEFORE FULLY UNDERSTANDING ALL SAFETY WARNINGS AND INSTRUCTIONS. IF YOU HAVE QUESTIONS, ARE UNSURE ABOUT ANY INFORMATION OR NEED ADDITIONAL INFORMATION CONCERNING YOUR PRODUCT, CONTACT OUR CUSTOMER SERVICE DEPARTMENT AT 1-866-972-6168 OR VISIT [WWW.TREESTANDCUSTOMERSERVICE.COM](http://WWW.TREESTANDCUSTOMERSERVICE.COM). KEEP AND MAINTAIN THIS SAFETY AND INSTRUCTION MANUAL IN A SAFE LOCATION FOR FUTURE REFERENCE.

# SHOOTING RAIL WITH SKIRT

MODEL: HEH00547

- Always Wear a Safety Harness with this Product
- Tree Size: 9"-18" diameter



**! WARNING**

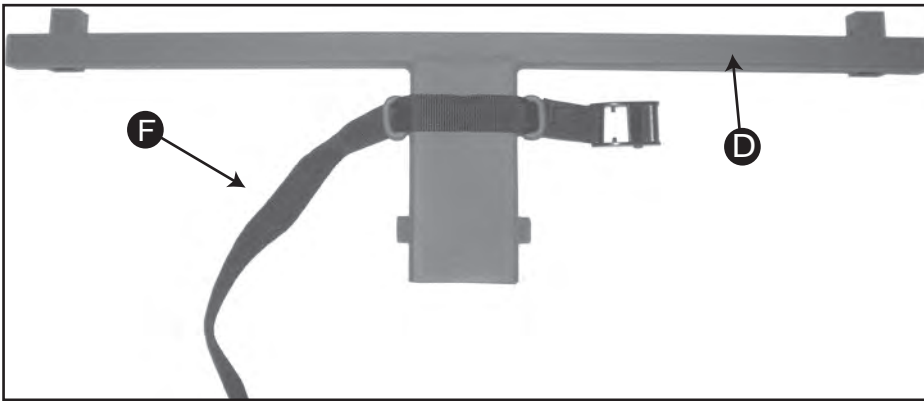
**ALWAYS** attach you harness to the tree before you leave the ground.

**DO NOT** carry shooting rail up or down the tree stand.  
**ALWAYS** use a hoist system to raise and lower shooting rail to tree stand.

**DO NOT** stand on the seat platforms of the tree stand to install shooting rail. Stand on the foot platform **ONLY**.

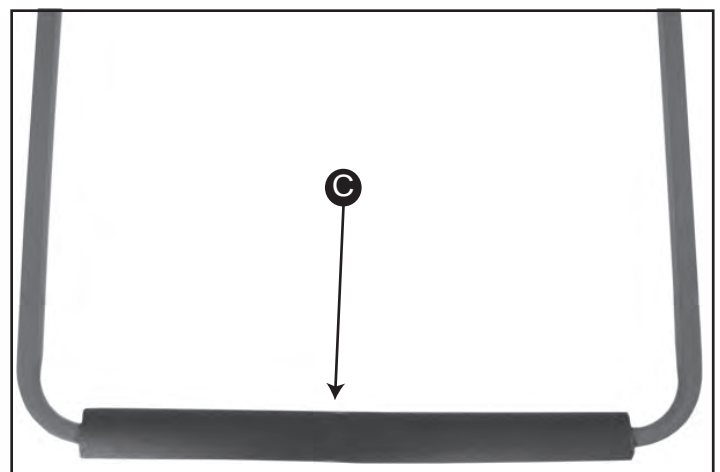
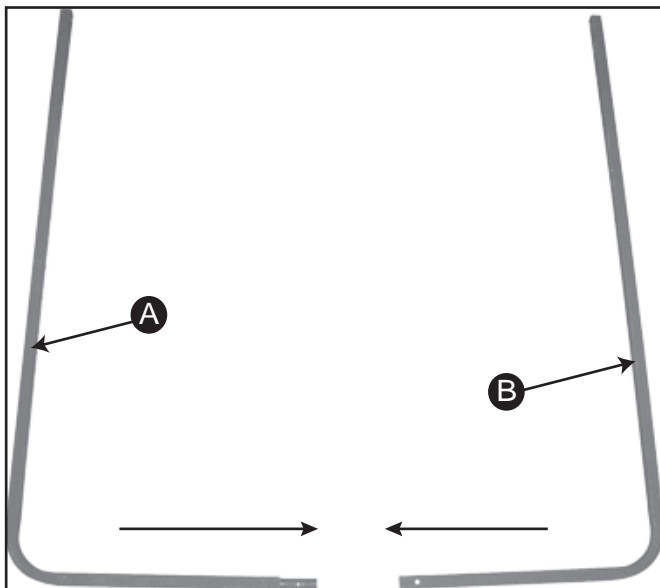
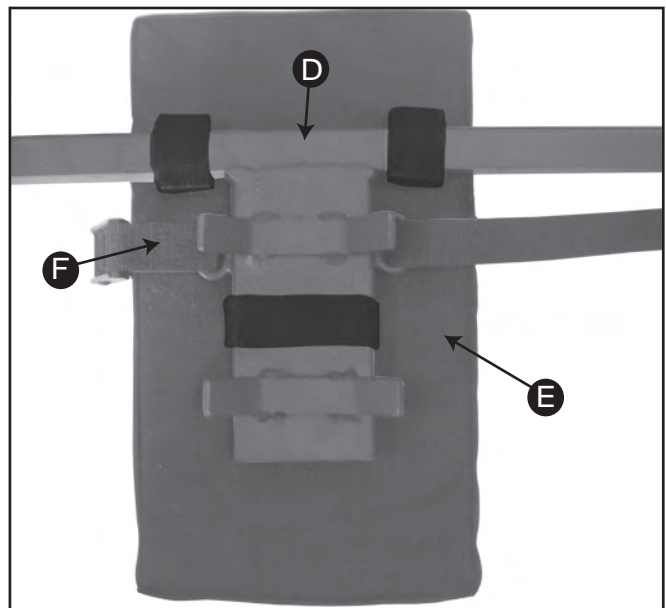
**DO NOT** lean on shooting rail. This shooting rail is designed to balance the weight of your weapon **NOT** a person.

| Parts List  |                          |                 |
|-------------|--------------------------|-----------------|
| <b>A</b>    | 1 Shooting Rail (Male)   | Part # DMSR-547 |
| <b>B</b>    | 1 Shooting Rail (Female) | Part # DFSR-547 |
| <b>C</b>    | 1 Shooting Rail Cover    | Part # DPAC-547 |
| <b>D</b>    | 1 Shooting Rail Brace    | Part # DSRB-547 |
| <b>E</b>    | 1 Cushion                | Part # DC-547   |
| <b>F</b>    | 1 Buckle Strap           | Part # CB-100   |
| <b>G</b>    | 1 Skirt                  | Part # DS-547   |
| <b>(55)</b> | 2 M10x55mm Bolt          | Part # 1055     |

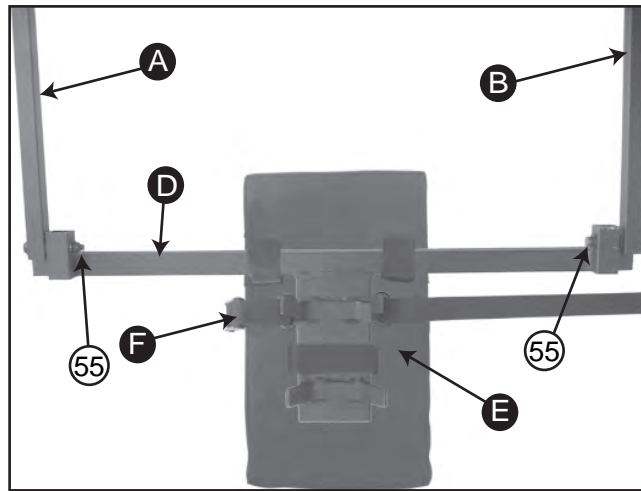


1. The Buckle Strap **F** should already come pre-assembled through Shooting Rail Brace **D**. If it becomes unattached, turn the Shooting Rail Brace over so that the tree braces are on the ground. Weave the strap through the eyelets on the Brace.

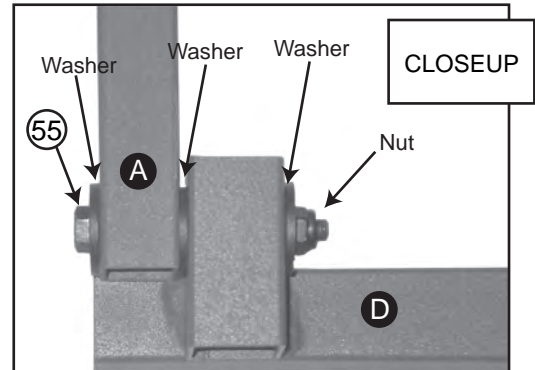
2. Attach Cushion **E** to the flat side of Shooting Rail Brace **D** by using the self sticking fabric straps.



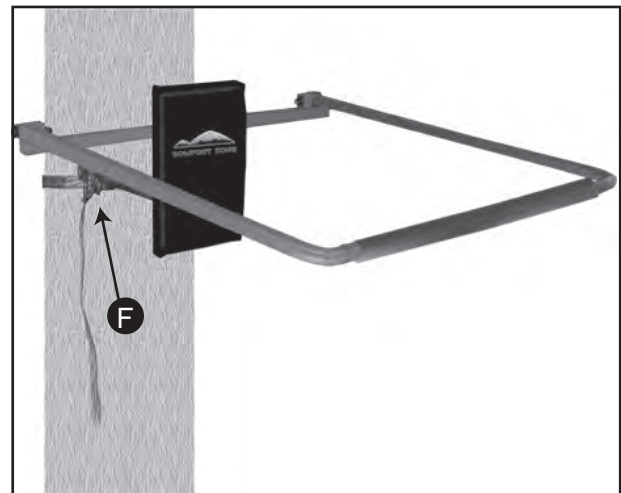
3. Slide both sections of the Shooting Rail together. Attach Shooting Rail Cover **C** to the Shooting Rail.



4. Attach each side of assembled Shooting Rail to Shooting Rail Brace **D** using **1-M10x55mm Bolt** on each side. **See Closeup.**



5. Tie Skirt to the Shooting Rail. Roll up the skirt before you hoist it up to your treestand.



5. Attach your harness to the tree before beginning to climb your tree stand. Use a safe hoist/lift system to raise the assembled shooting rail kit into position on the tree.

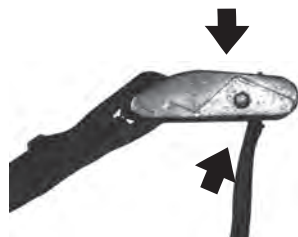
Wrap the strap around the back of the tree and insert into the buckle. **(See Buckle Strap Instructions)**

## Buckle Instructions



1. Hold buckle as shown in Fig. 1

Fig. 1



2. Press down on latch and insert strap underneath teeth as shown in Fig. 2.

Fig. 2



3. Pull strap to desired length.

Fig. 3



4. Pull slack to tighten.

Fig. 4

**ALWAYS** tug on strap to make sure it is secured by the buckle before use